

# **Minuteman<sup>®</sup>**

## **PowerBoss<sup>®</sup>**

### 3800

### Rider Scrubber

MC380000

MC380000QP

MC380001

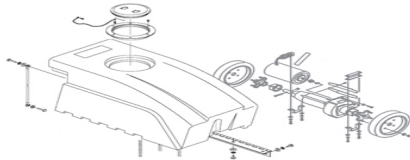
MC380001QP

MC380002

MC380002QP

MC380003

MC380003QP



**FLOOR**EQUIPMENT**PARTS**.COM

**OPERATION**

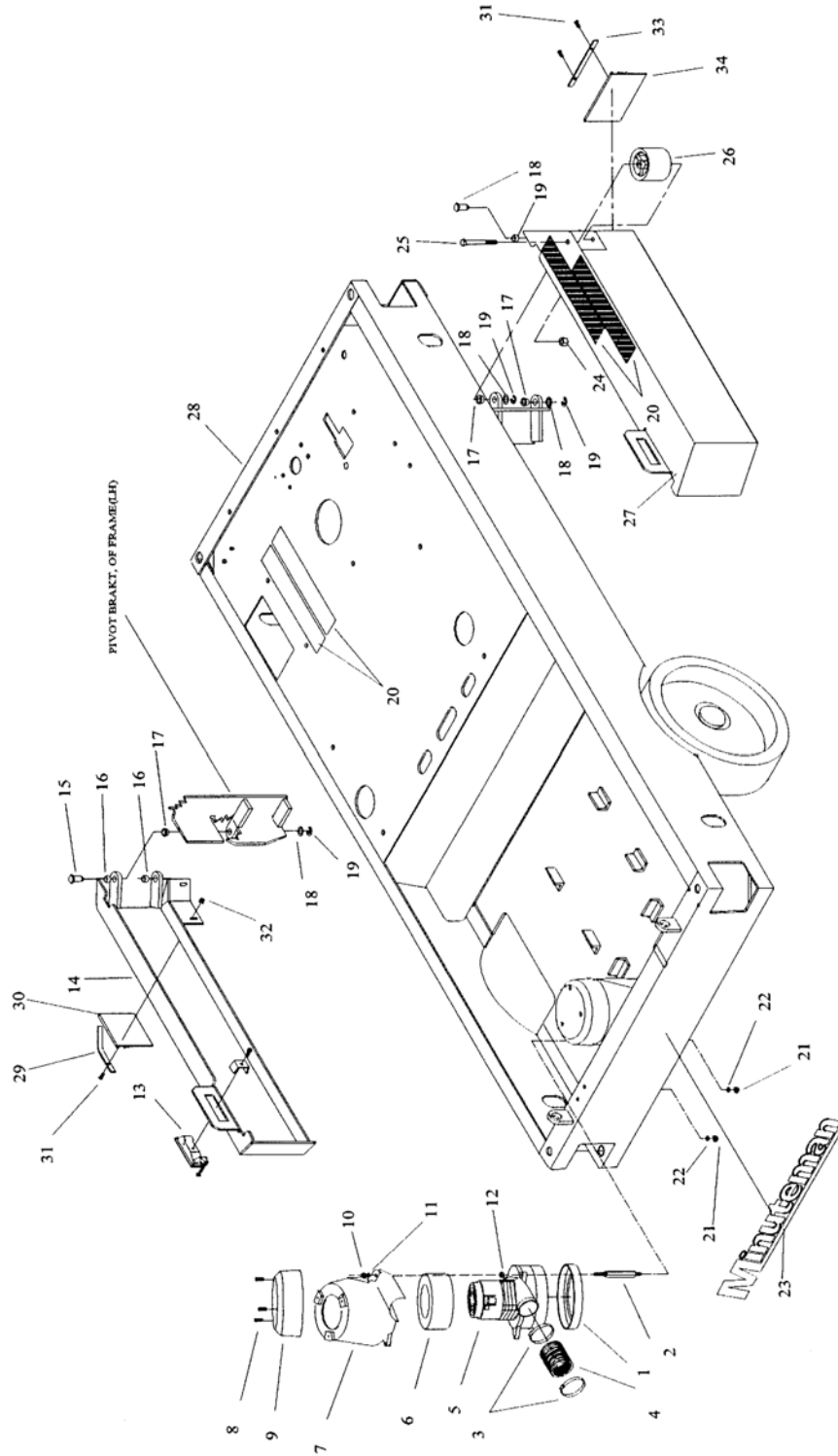
**SERVICE**

**PARTS**

**CARE**



### MAIN ASSEMBLY PART I

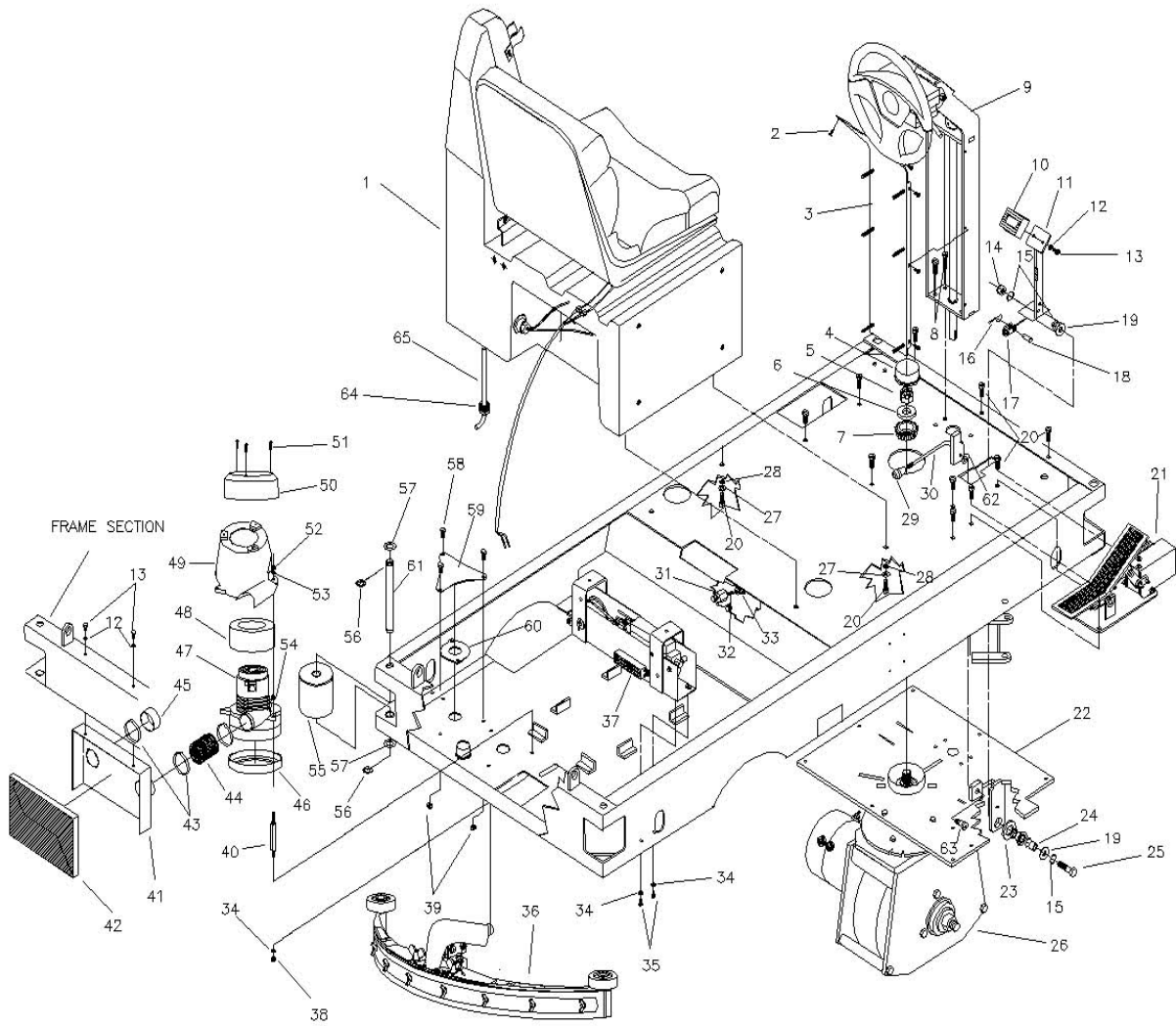


**Parts List**

ITEM	PART NO.	QTY.	DESCRIPTION
1	290017	1	Vac Motor Gasket
2	383143	3	Vac Motor Stand-off
3	829067	2	Hose Clamps
4	383375	1	Short Vac Motor Hose
5	742772	1	Vac Motor Assy.
6	380064	1	Foam Ring
7	840012	1	Vac Motor Cover Bottom
8	711160	3	SCR-Hi/Lo #10 x 5/8
9	840011	1	Vac Motor Cover Top
10	711373	3	Nut-Nyloc 1/4-20
11	711505	3	WSR-Flat 1/4
12	832015	3	Spacer .38 x .50 x .14
13	383256	2	Latch
14	383765	1	Skirt Support Weldment LH
15	260036	4	Pin, Retainer
16	260030	4	Oilite Bushing
17	260041	4	Oilite Flange Bushing
18	711594	4	WSR-Flat .56 x .88 x .03
19	711713	4	Retaining Ring
20	383196	4	Anti-Skid Strips
21	712667	3	Nut-Hex 1/4-20 SS Nyloc
22	711504	3	WSR-Flat 1/4 SS
23	715387	1	Decal, Minuteman
24	711380	1	Nut-Hex 3/8-16 Nyloc
25	711280	1	BLT-HH 3/8-16 x 3.5
26	76-56-A	1	Roller
27	383764	1	Skirt Support Weldment RH
28	383001	1	Mainframe
29	383758	1	Skirt Retainer LH
30	383763	1	Skirt LH
31	712536	4	SCR 10-24 x .62
32	712638	4	Nut Hex 10-24 SS
33	383761	1	Skirt Retainer RH
34	383762	1	Skirt RH

Items 1-12 are optional.

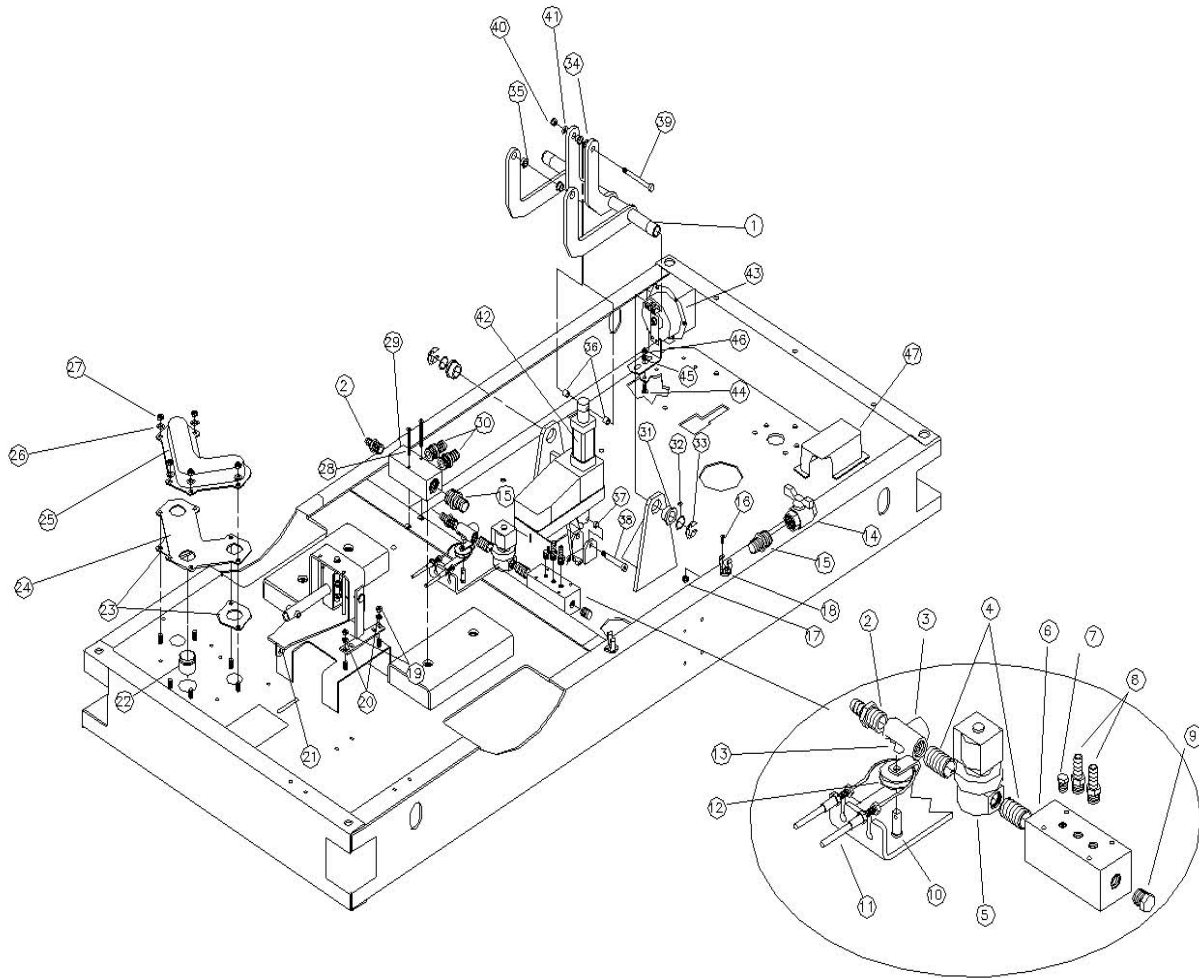
## MAIN ASSEMBLY PART II



**Parts List**

ITEM	PART NO.	QTY.	DESCRIPTION
1	383363	1	Aux. Tank Assy.
2	710329	10	SCR-MC 8-32 x .5
3	383296	1	Steering Cover
4	383250	1	Grease Cap
5	712113	1	Slotted Nut
6	383364	1	Spacer, Front Drive
7	383077	1	Roller Bearing
8	713043	4	BLT-HH 3/8-16 x 1.25
9	383200	1	Steering Assy.
10	762294MCH	1	Brake Pad
11	383064	1	Brake Pad
12	711544	4	WSR-Helical ¼
13	711202	4	BLT-HH ¼-20 x .5
14	711376	1	Nut-Nyloc ½-13
15	711524	5	WSR-Wave .52 x .87 x .01
16	809311	1	Cotter Pin 7/64
17	383230	1	Brake Pedal Cable
18	711668	1	Clevis Pin
19	711510	2	WSR-Flat .50 x 1.37 x .10
20	713042	14	BLT-HH 3/8-16 x 1 #5
21	383197	1	Accelerator Assy.
22	383225	1	Steering Mount Assy.
23	711514	1	WSR-Flat 1.06 x 2 x .15
24	807885	1	Spacer .5 x .75 x .602
25	712074	1	BLT-HH ½-13 x 2.00
26	76-58-A	1	Front Drive Assy.
27	712301	4	WSR-Flat .37 x .87 x .06
28	711546	4	WSR-Helical 3/8
29	760592	1	Oval Tapered Knob
30	383067	1	Emergency Brake Weldment
31	740132	2	Glastic Insulator
32	833638	2	Brass Stud
33	711368	2	Nut-Wing ¼-20
34	711504	7	WSR-Flat ¼ SS
35	712101	4	SCR-Hwsr. 10-24 x .50
36	383794	1	Squeegee Assy.
37	383128	1	Squeegee Actuator Assy.
38	712667	3	Nut-Nyloc 1/4-20 SS
39	712683	3	Nut-Nyloc 5/16-18 SS
40	383143	3	Vac Motor Mount
41	383153	1	Muffler, Motor
42	383374	1	Exhaust Sound Dampener
43	829067	3	Hose Clamp
44	383375	1	Short Vac Motor Hose
45	383392	1	Cap Plug
46	290017	1	Vac Motor Gasket
47	742772	1	Vac Motor Assy.
48	380064	1	Foam Ring
49	840012	1	Vac Motor Cover Bottom
50	840011	1	Vac Motor Cover Top
51	711160	3	SCR-Hi/Lo #10 x 5/8
52	711373	3	Nut-Nyloc ¼-20
53	711505	3	WSR-Flat ¼
54	832015	3	Spacer, .38 x .50 x .14
55	66-436-A	4	Corner Roller
56	809148	8	E-Ring .75
57	711517	8	WSR-Flat .77 x 1.37 x .03
58	712575	3	BLT-HH 5/16-18 x .75 SS
59	383142	1	Vac Cover Plate
60	383068	1	Gasket, Air Manifold
61	383145	4	Roller Pin
62	210033	1	Oilite Thrust Washer
63	712099PLT	1	Shoulder-Bolt 3/8 x ½
64	383469MCH	1	3/8 Compression Fitting
65	383473	1	Tubing, Copper

### MAIN ASSEMBLY PART III

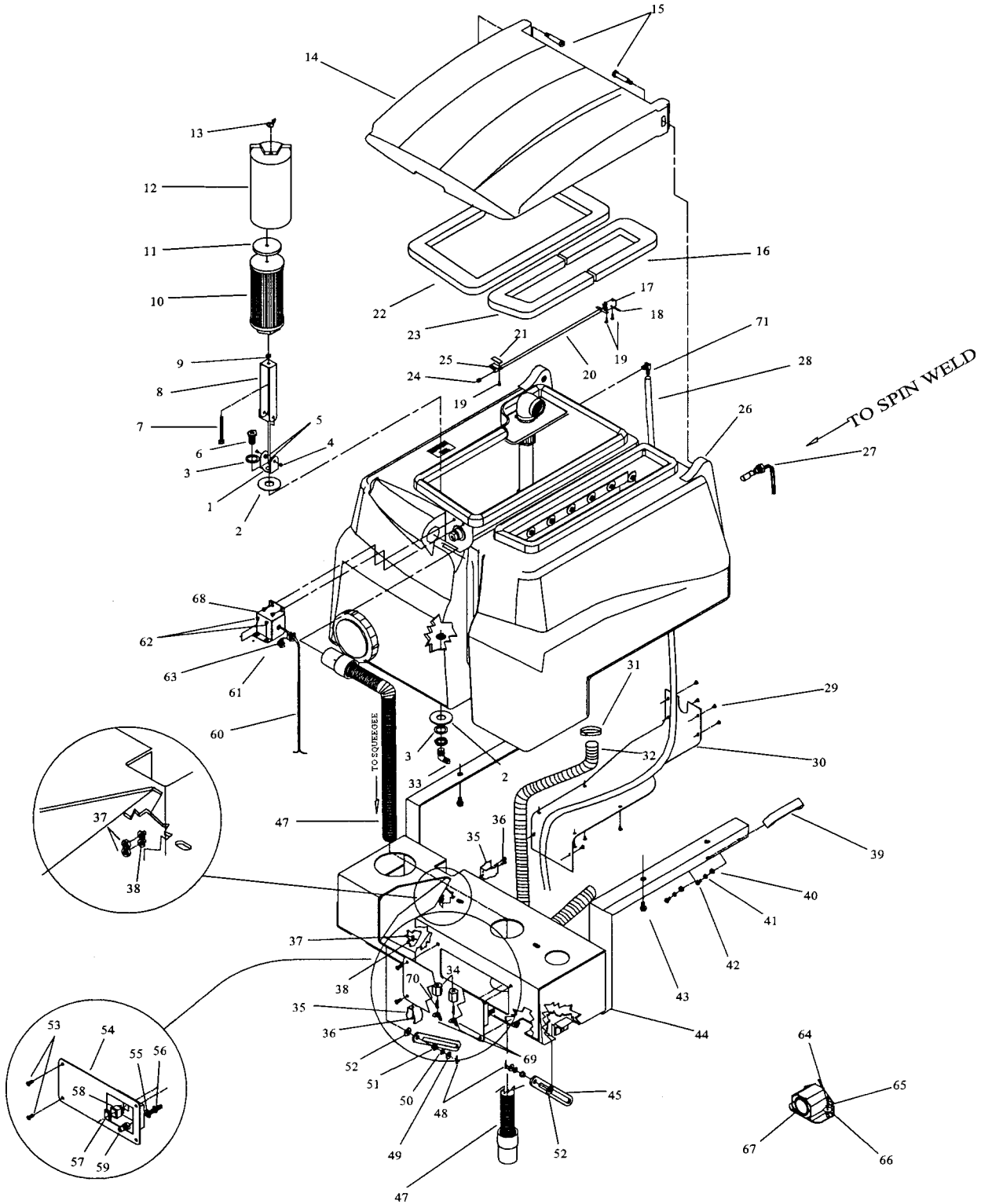


BASIC PLUMBING, FOR MORE DETAIL SEE PG. 52

**Parts List**

ITEM	PART NO.	QTY.	DESCRIPTION
1	383127	1	Lever Arm Weldment
2	383467	2	Fitting Brass 1/2 x 1/2
3	383325	1	Fitting Brass Tee 1/2 FPT
4	383465	2	Fitting Brass Nipple 1/2 MPT
5	742718	1	Water Solenoid 36V
6	383457	1	Hydraulic Manifold, Upper
7	383480	1	Fitting Brass 1/8 MPT Plug
8	3400261	2	Fitting Brass 1/4 MPT x 3/8 Barb
9	383479	1	Fitting Brass 3/8 MPT Plug
10	711668	1	Clevis Pin
11	383229	1	Brake Cable (from 3838350)
12	81-44-A	1	Nylon Pulley
13	711808	1	Spring Cup
14	383461	1	1" Ball Valve
15	383471	2	Fitting Brass 1" MPT x 1"
16	710230	4	SCR 8-32 x .62
17	711426	4	8-32 Wizz Nut
18	383474	2	Clip, 1" Hose
19	712680	4	Nut Hex 5/16-18 Ss
20	711545	4	WSR Helical 5/16
21	383226	1	Squeegee mechanism
22	260064	1	Flanged Tube
23	383068	1	Gasket, Air Manifold
24	383238	1	Air Manifold, Bottom
25	383237	1	Air Manifold, Top
26	712767	6	WSR-Flat .406 x .75
27	712683	6	Nut-Hex 5/16-18
28	712547	6	SCR 10-24 x 2.5" SS
29	383458	1	Hydraulic Manifold, Lower
30	383468	2	Fitting Brass 3/4 x 3/4
31	809236	2	Oilite Flanged Bushing
32	711526	4	WSR-Wave 1.01 x 1.20 x .01
33	809237	2	Retaining Ring
34	260066	2	Oilite Flange Bushing
35	260041	2	Oilite Flange Bushing
36	383368	2	Spacer .384 x .500 x .437
37	383369	2	Spacer .384 x .500 x .219
38	712100	1	Shld-Blt 3/8 x 2.25
39	712119	1	Shld-Blt 3/8 x 3
40	711374	2	Nut-Nyloc 5/16-18
42	742712-1	1	Actuator 36V
43	742711	1	Horn
44	710180	1	SCR 1/4-20 x .75
45	711505	1	WSR-Flat 1/4
46	711373	1	Nut-Nyloc 1/4-20
47	383414	1	Cover, Electrical Cable

**MAIN ASSEMBLY PART V**



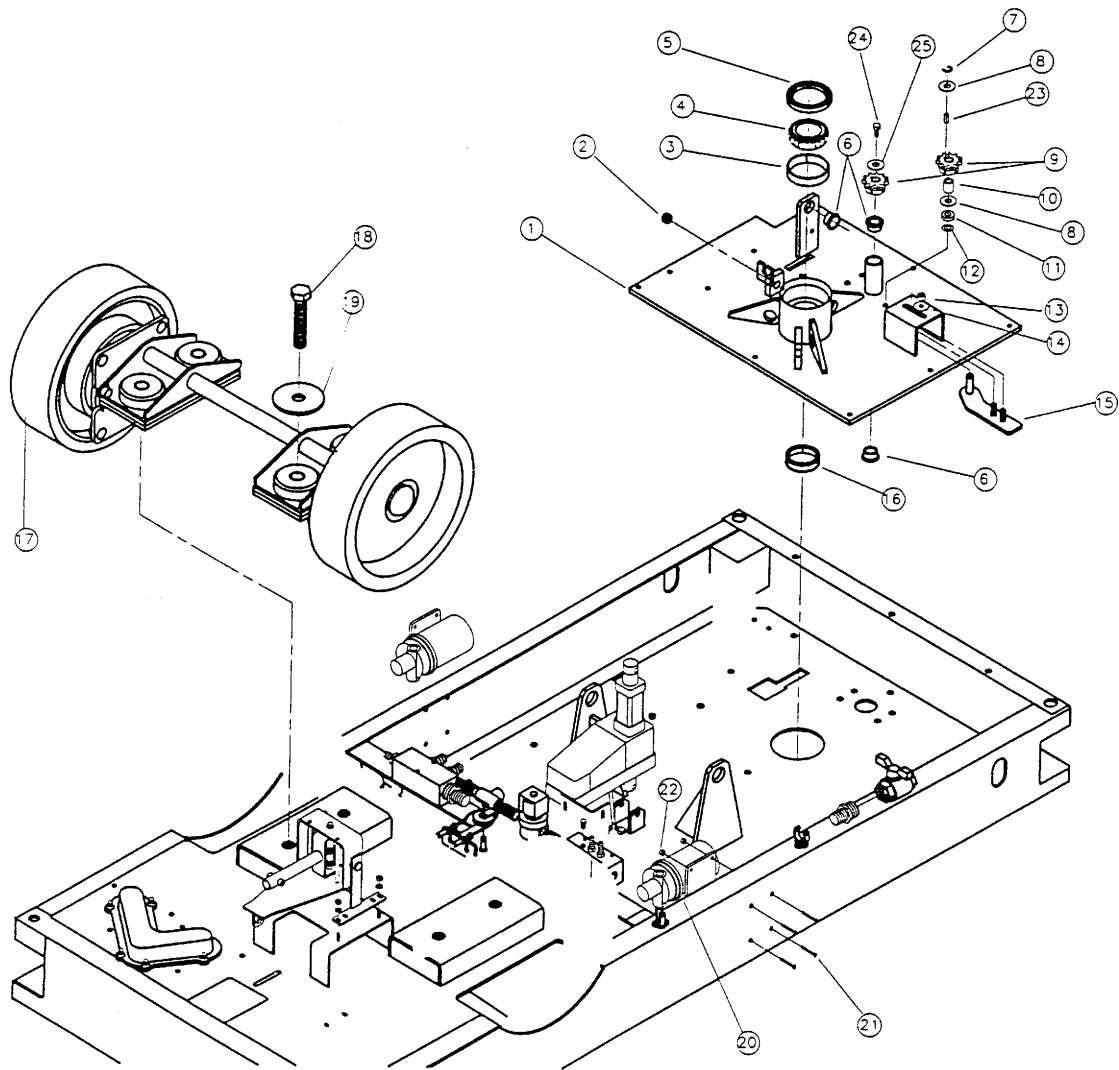


**Parts List**

ITEM	PART NO.	QTY.	DESCRIPTION
1	383425	1	Filter Bracket, Lower
2	383446	2	Gasket, 1.125 x 2.75 x .125
3	383447	2	Spacer, 1.125 x 1.625 x .125
4	711922	2	Rivet Tube, .19 x .28
5	712764	2	WSR-SS #10
6	383448	1	Anchor Coupling
7	807901	1	Bolt SP, Machined
8	383246	1	Filter Bracket, Upper
9	712680	1	Nut-Hex 5/16-18 SS
10	340071	1	Recycle Filter 340
11	340067	1	Gasket, Recycle Filter
12	340069	1	Cover Recycle Filter
13	711369	1	Nut, Wing 5/16-18 Nylon
14	383303	1	Lid
15	712120	2	Shoulder Bolt, 1/2 x 2 PLT
16	383397	1	Gasket, Solution
17	383297	1	U Channel
18	383264	1	Roll Pin .125 x 1.00
19	711161	3	SCR-Hi/Lo #10 x 3/4
20	383263	1	Prop Rod
21	760263	1	Double Sided Tape
22	383026	1	Gasket Recovery
23	383030	1	Gasket Solution
24	840059	1	Cap, Thread Cover
25	383231	1	Clip, Screw Down
26	383135	1	Solution/Recovery Tank (w/o Recovery)
27	742708-2	1	Float w/Male Term.
28	383454	1	Vacuum Equalizing Tube 9.41 ft.
29	712540	10	SCR-MC 10-24
30	383184	1	Tank Bottom Cover
31	260203	1	Hose Clamp, 102120
32	383273	1	1.5" Vac Hose x 52"
33	383449	1	Fitting Brass 90° 1/2 x 1/2
34	740132	2	Glastic Insulator
35	383270	2	Tool Clip
36	710230	4	SCR-MC 8-32 x .62
37	711372	4	Nut-Nyloc 8-32
38	711502	4	WSR-Flat #8
39	130040PTD	2	Handle
40	711505	4	WSR-Flat 1/4
41	711544	4	WSR-Helical 1/4
42	713002	4	BLT-HH 1/4-20 x 3/4
43	712083	6	BLT-Flange Wizz Loc 3/8-16
44	383165	1	Tank Frame Weldment
45	383291	2	Hinge
46			
47	383272	1	2" Wireloc Hose
48	809311	2	Cotter Pin 7/64 x 1
49	712301	2	WSR-Flat .37 x .87 x .06
50	711523	2	WSR-Wave .37 x .68 x .08
51	260066	2	Oilite Flanged Bushing
52	711592	2	WSR-Nylon .5 x 1.06 x .06
53	710197	4	SCR-MC 5/16-18 x 3/4
54	383235	1	Back Door Weldment
55	711579	1	WSR-Flat .56 x 1.00
56	3400261	1	Fitting Brass 1/4 MPT x 3/8 Barb
57	740811	1	Dreefs Switch Boot
58	740800CE	1	Momentary Dreefs Switch
59	828368	1	BH2-61 Male Coupler
60	742833	1	Cable Assy.
61	383186	1	Hose Hook
62	712534	4	SCR-MC 10-24 x .5
63	380032	1	Strain Relief
64	712812	2	SCR 10-24 x .62 PHL
65	711543	2	WSR-Helical #10
66	711599	2	WSR-Flat .187 x 1.00 x .06
67	742710-1	1	Backup Alarm
68	383185	1	Switch Cover Rear
69	711368	2	Nut-Wing 1/4-20
70	833638	2	Brass Stud
71	220174	1	Fitting Brass 90° 1/4 MPT x 3/8 Barb

Items 1 thru 13 and 27 are included with Model #MC380001 & MC380003.  
Items 64 thru 67 are optional.

**MAIN ASSEMBLY PART IV**

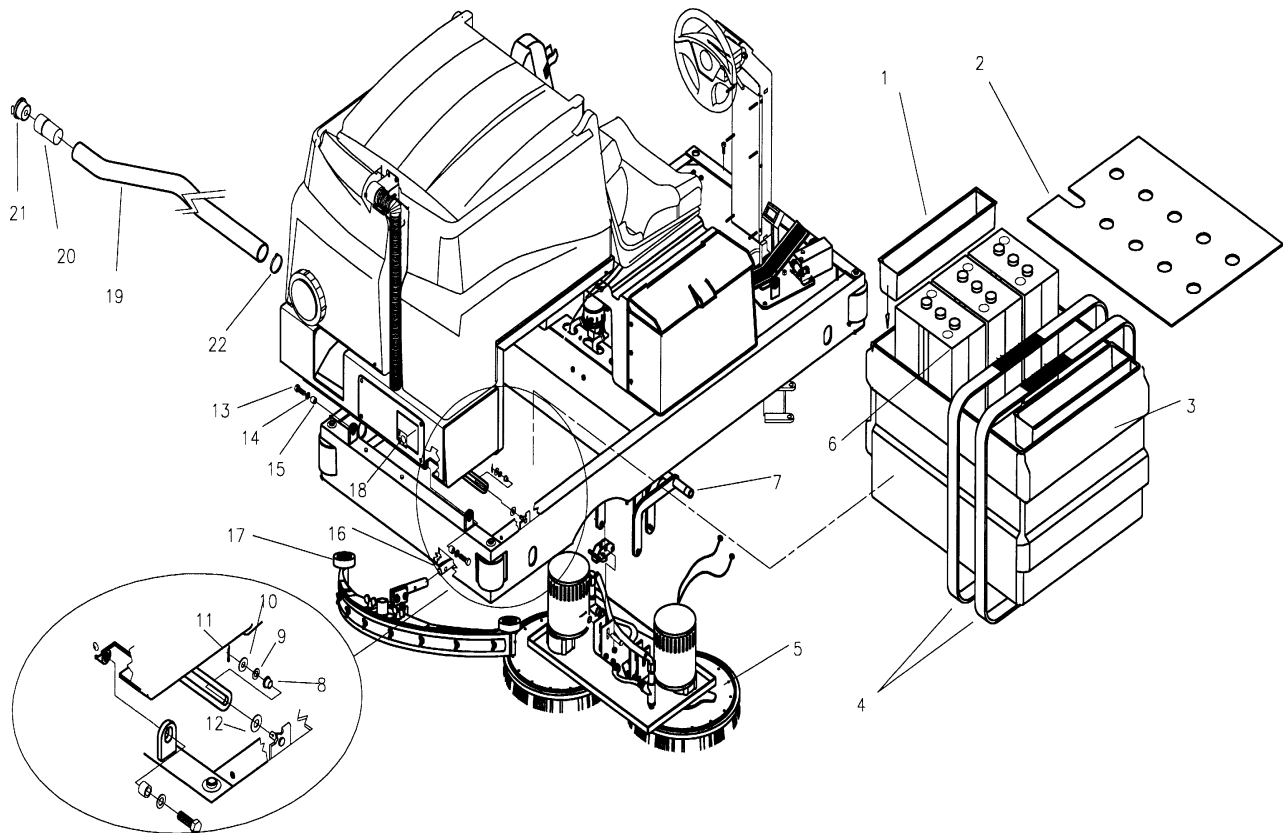


**Parts List**

ITEM	PART NO.	QTY.	DESCRIPTION	ITEM	PART NO.	QTY.	DESCRIPTION
1	383225	1	Steering Mount Assy.	14	712301	2	WSR-Flat .37 x .87 x .06
2	260030	1	Oilite Bushing	15	383405	1	Idler Arm Weldment
3	383076	1	Race (large)	16	383078	1	Race, Small
4	383075	1	Roller Bearing	17	383050	1	Rear Axle Weldment
5	383074	1	Lip Seal	18	711171	4	BLT-HH 7/8-9 x 4.5"LG
6	832554	3	Flange Bushing	19	383090	4	Snubbing Washers
7	711713	1	Retaining Ring	20	742709-1	1	Water Pump, 36V
8	711578	2	WSR-Flat 1/2	21	710363	4	SCR 10-32 x 1.5
9	760601	2	Sprocket	22	711426	4	Nut-Hex 10-32
10	807071	1	Spacer, 3/4	23	3330913	1	Key 1/4 x 1/4 x .75
11	430149	1	Bushing .531 x 1 x .25 SS	24	3400930	1	SCR 5/16-18 x .75
12	711524	1	WSR-Wave, .52 x .87 x .01	25	3400233	1	WSR-Fender 5/16
13	711380	2	Nut-Nyloc 3/8-16				

Optional 2nd Pump w/Recycling Package

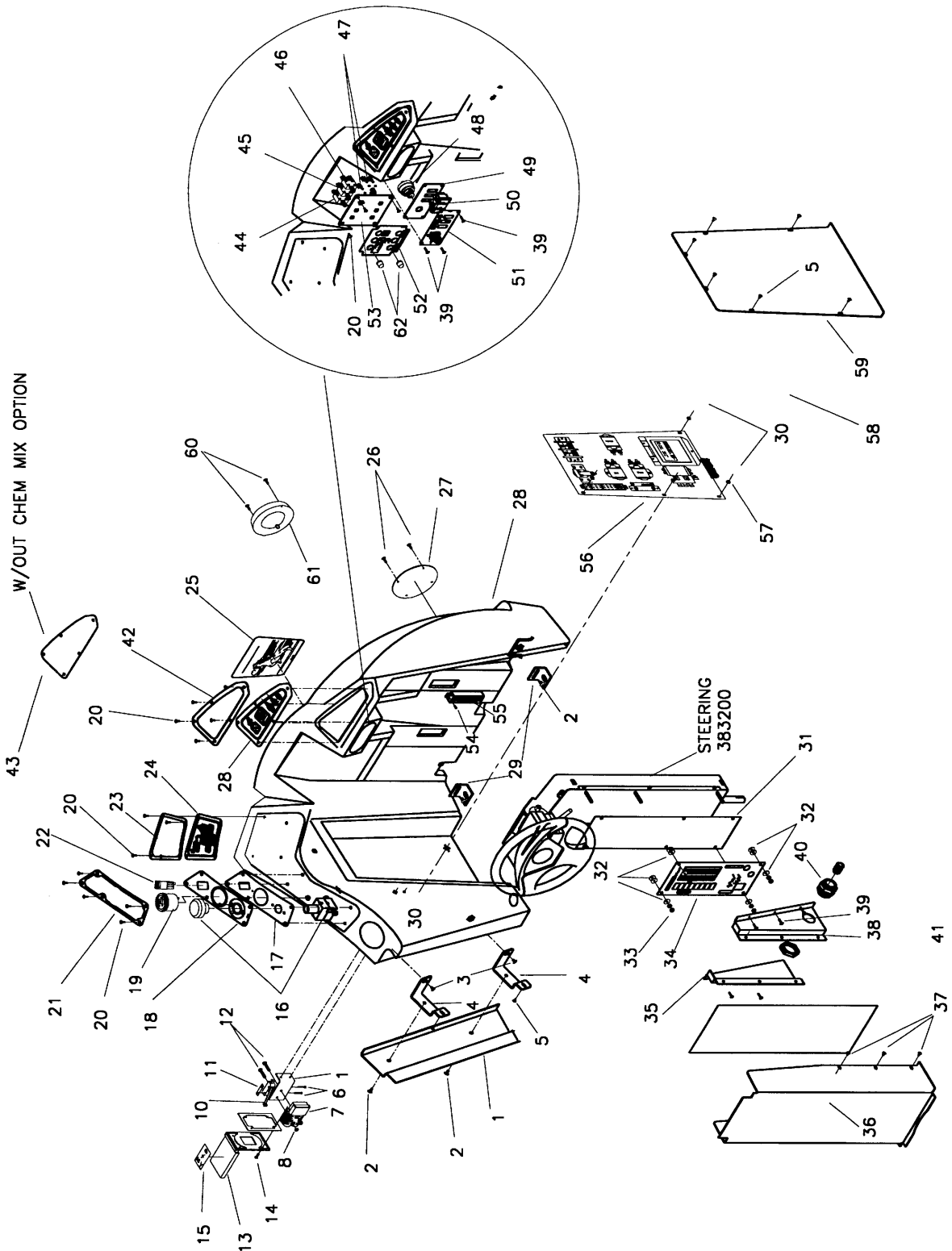
**MAIN ASSEMBLY PART VI**



**Parts List**

ITEM	PART NO.	QTY.	DESCRIPTION	ITEM	PART NO.	QTY.	DESCRIPTION
1	383073	2	Battery Liner Spacers	12	711592	2	WSR-Nylon .5 x 1.06 x .06
2	383095	1	Battery Cover	13	712075	2	BLT-HH 1/2 - 13 x 1.5
3	383096	1	Battery Liner	14	711502	2	WSR-Flat #8
4	383042	2	Battery Straps	15	807885	2	Spacer .50 x .75 x .602
5	383227	1	Scrubhead Assy.	16	383226	1	Squeegee Mach. Assy.
6	956715	6	6 Volt Battery	17	383794	1	Squeegee Assy.
7	383127	1	Lever Weldment	18	383144	1	Auxiliary Out Decal
8	260066	2	Oilite Flange Bushing	19	383259	1	Rec. Tank Drain Hose
9	711523	2	WSR-Wave .37 x .68 x .08	20	383260	1	Discharge Tube
10	712301	2	WSR-Flat .37 x .87 x .06	21	750402	1	Plug Assembly
11	809311	2	Cotter Pin 7/64 Dia.	22	340464	1	Clamp, Hose

# CONSOLE ASSEMBLY

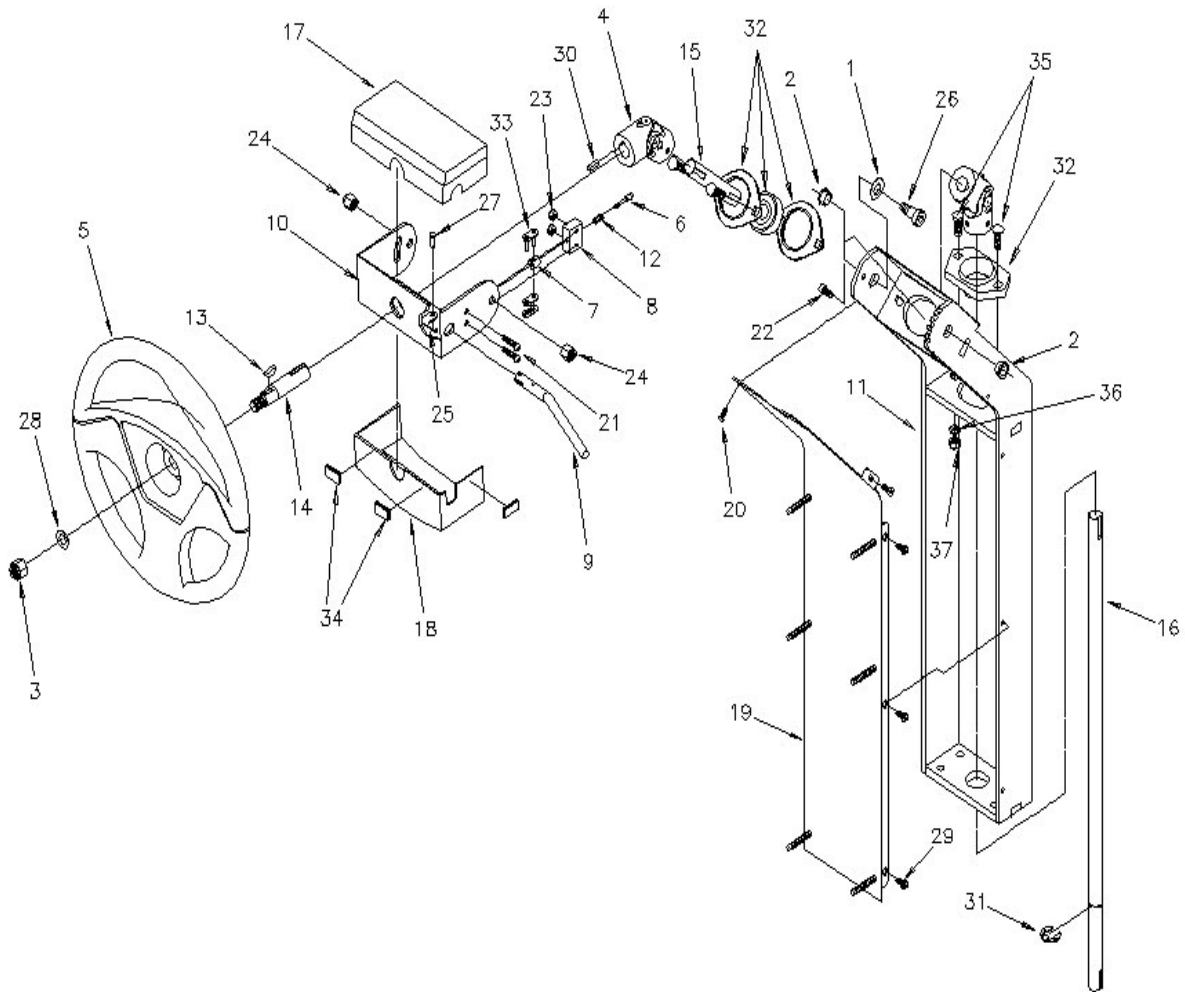


**Parts List**

ITEM	PART NO.	QTY.	DESCRIPTION
1	383290	1	Cover, Connector
2	710178	4	SCR-MC ¼-20 x .50 STPL
3	710177	2	SCR-MC ¼-20 x .37
4	383289	2	Bracket, Connector
5	712540	8	SCR-MC 10-24 x .37
6	710307	2	SCR-MC 6-32 x 1.00
7	740147	1	Grey Housing
8	711316	2	Nut-Hex ¼-20
9	383310	1	Bracket, Recharge
10	740128	1	Snap Switch
11	711430	1	Tinnerman Nut
12	711209	2	BLT-HH ¼-20 x 1.12
13	724747	1	Cover, Charge Port
14	711157	4	SCR Hi/Lo #7-19 x .50
15	715246	1	Decal, Battery 36V
16	742703	1	Emergency Disconnect
17	383151	1	Dashboard Plate
18	715402	1	Decal, Dashboard Left
19	742310	1	Hour Meter
20	712822	18	SCR-MC 10-24 x .50
21	383378	1	Bezel Dashboard
22	742736	1	Switch, Horn
23	383376	1	Bezel Keyboard
24	742701	1	Keyboard
25	715403	1	Decal, Console
26	711160	8	SCR Hi/Lo #10 x 5/8
27	383213	2	Headlight Cover
28	742733	1	MEM-Switch, Chemical Mix
29	383268	2	Console Bracket
30	710180	8	SCR-MC ¼-20 x .75
31	383394	1	Insulator
32	711550	12	WSR-Nylon .25 X .75 OD
33	712665	8	Nut-Hex ¼-20 SS
34	742700	1	Computer, 3800
35	383305	1	Computer Cover, Left
36	383304	1	Computer Cover, Middle
37	710153	6	SCR-MC 10-32 x .37
38	383306	1	Computer Cover, Right
39	711161	10	SCR Hi/Lo #10 x .75
40	210405	1	Liquid Tight Fitting
41	383393	1	Insulator
42	383377	1	Bezel, Chemical Mix
43	383149	1	Right Side Dash Plate
44	740247	1	Circuit Breaker 30A
45	740238	1	Circuit Breaker 18A
46	740249	1	Circuit Breaker 50A
47	740131	2	Circuit Breaker 70A
48	741005	1	Key Switch
49	383147	1	Key Switch Plate
50	742716	1	Switch, 1 Pole w/Splash
51	715401	1	Decal, Key Switch
52	715276	1	Circuit Breaker
53	383150	1	Circuit Breaker Plate
54	711131	2	SCR-MC Self Tap #8 x .37
55	742728	1	Terminal Block
56	742954	1	Electrical Assy. 3800
57	711544	6	WSR-Helical ¼
58	383395	1	Insulator
59	383267	1	Electrical Panel Cover
60	711162	2	SCR Hi-Lo #10 x 1.50
61	742704	2	Headlight
62	742748	5	Circuit Breaker Boot
63	383300	1	Console, 3800
64	383310	1	Recharge Bracket

Items 28 and 42 are optional with Model #MC380002 and #MC380003.  
 Item 50 has optional 2<sup>nd</sup> and 3<sup>rd</sup> switch.  
 Items 60 and 61 are optional.

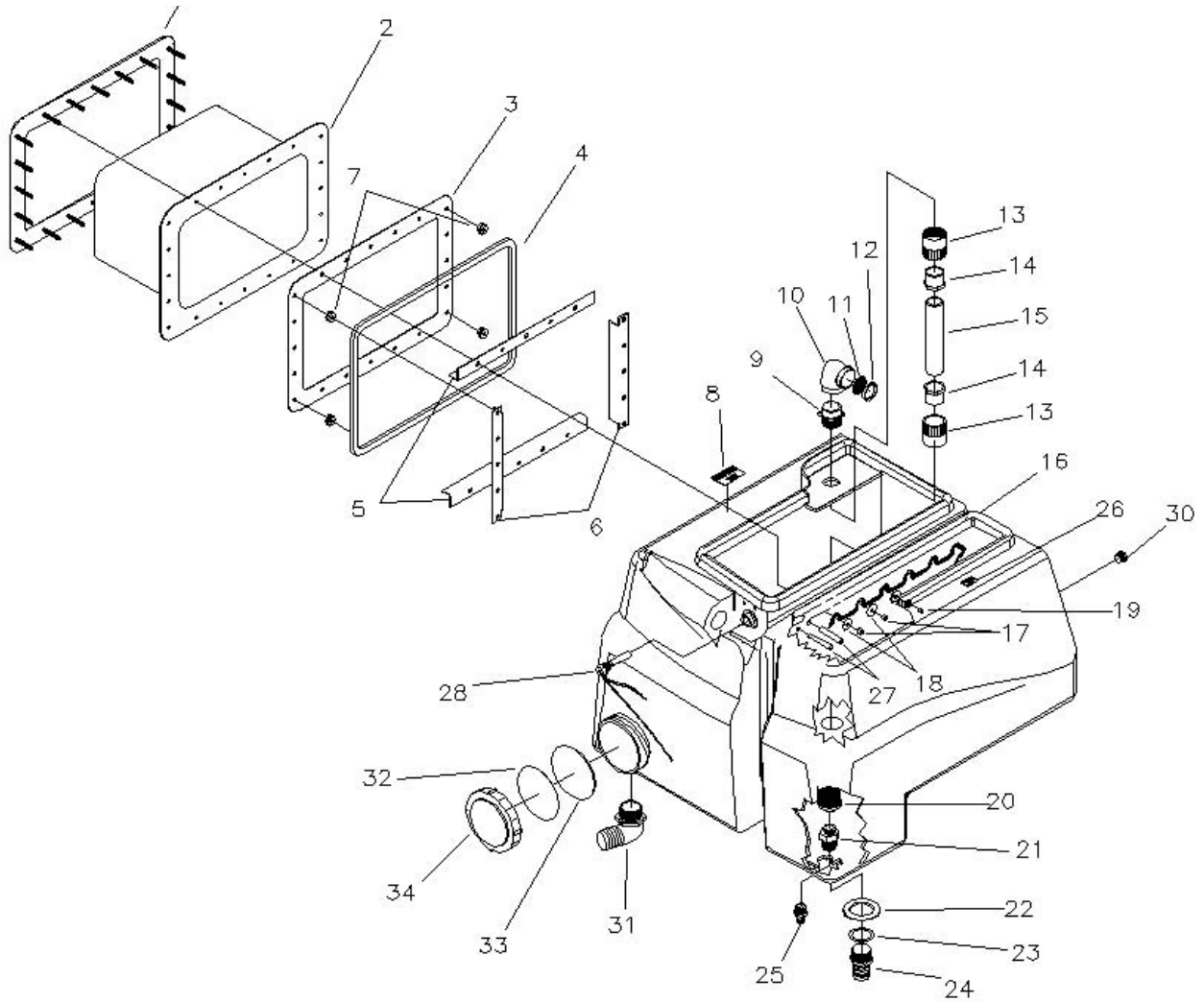
## STEERING COLUMN ASSEMBLY



**Parts List**

ITEM	PART NO.	QTY.	DESCRIPTION
1	210033	2	Oilite Thrust Washer
2	260041	2	Oilite Flange Bushing
3	363-816	1	Nut-Nyloc 1/2-20
4	383098	2	Universal Joint
5	383152	1	Steering Wheel
6	383171	1	Locking Pin Shaft
7	383172	1	Locking Pin Head
8	383211	1	Housing, Compression Spring
9	383214	1	Pivot Arm
10	383215	1	Upper Bracket Weldment
11	383218	1	Steering Weldment
12	383221	1	Spring, Compression
13	383277	1	Woodruff Key, 3/16 x 3/4
14	383278	1	Shaft, Upper Steering
15	383279	1	Shaft, Middle Steering
16	383280	1	Shaft, Lower Steering
17	383284	1	Cover, Steering Top
18	383285	1	Cover, Steering Bottom
19	383296	1	Cover, Steering Weldment
20	3331835	2	SCR-MC 8-32 x .50 STPL
21	710360	2	SCR-MC 10-32 x 1.0 STPL
22	710961	1	SCR-SC 1/4-20 x .37
23	711350	2	Nut Nyloc 10-32
24	711380	2	Nut Nyloc 3/8-16
25	711803	1	Cotter Pin .06 x .75
26	712099PLT	2	BLT-Shoulder 1/2 x 1/2
27	712117	1	Clevis Pin 3/16 x 19/32
28	712310	1	WSR-Flat .52 x .87 x .06
29	712811	8	SCR-MC 10-24 x .5 STPL
30	760043	4	Key .187 Sq. x .675
31	809148	1	E-Ring .75
32	3330940	2	Bearing Flange, 3/4
33	833629	1	Master Chain Link
34	383407	4	Valcro Strips 1" Lg.
35	3400009	4	SCR-CAR 5/16-18 x 1.00
36	3400088	4	WSR-Flat 5/16
37	3400080	4	Nut-Nyloc 5/16-18

## SOLUTION/RECOVERY ASSEMBLY

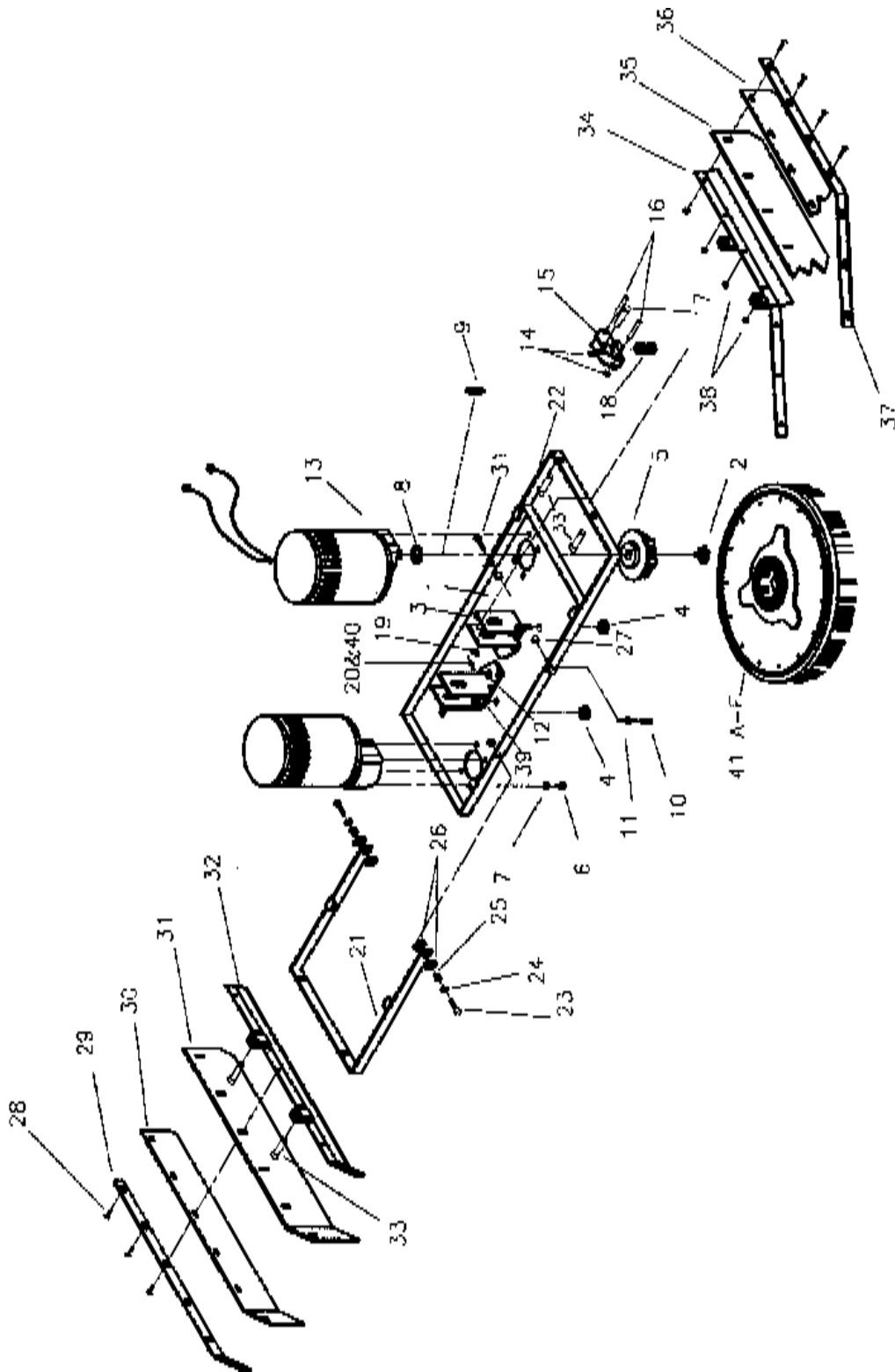




**Parts List**

ITEM	PART NO.	QTY.	DESCRIPTION
1	383138	1	Bladder Frame
2	383089	1	Bladder Bag
3	383139	1	Bladder Plate
4	383101	1	Bladder Gasket
5	383141	2	Angle Bladder, Top-Bottom
6	383140	2	Angle Bladder, Side
7	130029	4	Grommet, .75 x .31 x .25
8	715206	1	Decal-Rec., Tank Cover
9	383210	1	1 1/2" Adapter, MPT
10	383379	1	Elbow 1 1/2" PVC
11	840099	1	Filter Screen
12	840102	1	Cap, Filter
13	833160	2	1.5" Pipe Coupling
14	430095	2	PVC Bushing, 1.5 x 1.25
15	383365	1	Stand Pipe, 1.5
16	383302	1	Solution/Recovery Tank
17	712683	22	Nut-Hex 5/16-18
18	712579	22	WSR-Flat .31 x 1.37 x .06
19	840059	22	Cap, Thread Cover
20	383146	1	Solution Strainer
21	383046	1	MPT Reducer, 3/4" x 1/2"
22	828970	1	WSR-Neoprene 1.87 x 2.4 x .125
23	450081	1	WSR-SS 1.908 x 2.41 x .03
24	450083	1	Insert Fit, White
25	340047	1	3/4" Barb Fitting
26	715205	1	Decal, Solution Tank Cover
27	420013	2	Tube 1/2" x 3" Lg.
28	742708-2	1	Float Switch with Male Term
29	742833	1	Cable Assy.
30	383319	1	Fitting Plug, 1/2 MPT
31	383318	1	2" MPT x 2" Barb
32	383401	1	Plate, Gasket Backing
33	383402	1	Gasket, Dump Cover
34	383437	1	Cap, Dump Cover

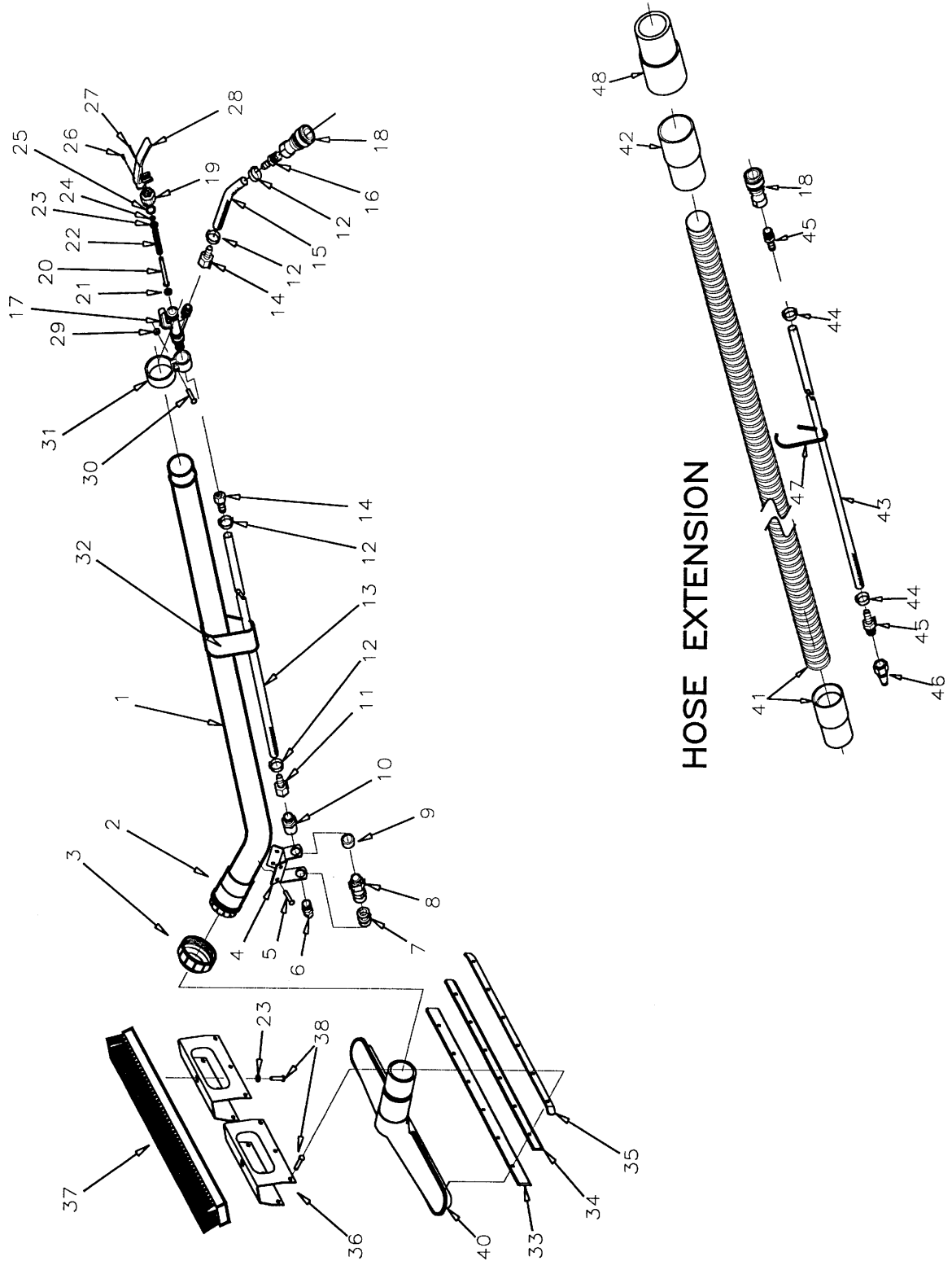
### SCRUBHEAD ASSEMBLY



**Parts List**

ITEM	PART NO.	QTY.	DESCRIPTION
1	383951	1	WB Motor Pan
2	210066	2	Drive Hub Retainer Belt
3	383053	2	Lift Bracket Weldment
4	383228	2	Nylon Nut 3/8 NPT
5	430163	2	Drive Hub w/Steel Insert
6	710986	8	SCR-SC 3/8-16 x 1.00
7	711546	8	WSR-Helical 3/8
8	711517	2	WSR-Flat .77 x 1.37 x .03
9	833621	2	Key 1/4 x 1/4 x 1
10	712575	6	BLT-HH 5/16-18 x .75 SS
11	711545	6	WSR-Helical 5/16
12	712680	6	Nut 5/16-18 SS
13	742714	2	36V Motor (1 hp)
14	711506	4	WSR-Flat 5/16 ST PL
15	320255	2	BRK, Spring Support
16	711671	4	Clevis Pin .31 x 2.13
17	3400755	2	Clevis Pin 1/2 x 2.25
18	260137	2	Compression Spring
19	711594	2	WSR-Flat .56 x .88 x .03
20	3400124	6	5/8 Rue Ring
21	383768	1	Bracket Side Squeegee, LH
22	383780	1	Bracket Side Squeegee, RH
23	3402010	4	SCR-Hex 3/8-16 x 1.25
24	3400336	4	WSR-3/8 Flat
25	3300339	4	Sleeve Bushing
26	711592	8	WSR .5 x 1.06 x .06
27	3400340	4	Nut-Hex 3/8-16 SS
28	3400058	13	SCR-TRS 1/4-20 x 1.00
29	383779	1	Retainer-Side Squeegee LH
30	383778	1	Strip-Backup Side Squeegee LH
31	383777	1	Squeegee, Side LH
32	383771	1	Weld-Squeegee Mnt. LH
33	3400126	4	Pin Hitch 1/2 x 1.50
34	383782	1	Weld-Squeegee Mnt. RH
35	383784	1	Squeegee Side RH
36	383785	1	Strip Backup Side Squeegee RH
37	383786	1	Retainer Side Squeegee RH
38	3400063	13	Nut Flange Lock 1/4-20
39	3400261	2	Fitting Brass 1/4 MPT x 3/8 Barb
40	3400125	4	3/8 Rue Ring
41A	381036	2	Dyna Scrub Brush
41B	381037	2	Power Scrub Brush
41C	381038	2	Pad Holder
41D	381039	2	Nylon Brush
41E	381040	2	Poly-Grit Brush
41F	381041	2	Strata-Grit Brush

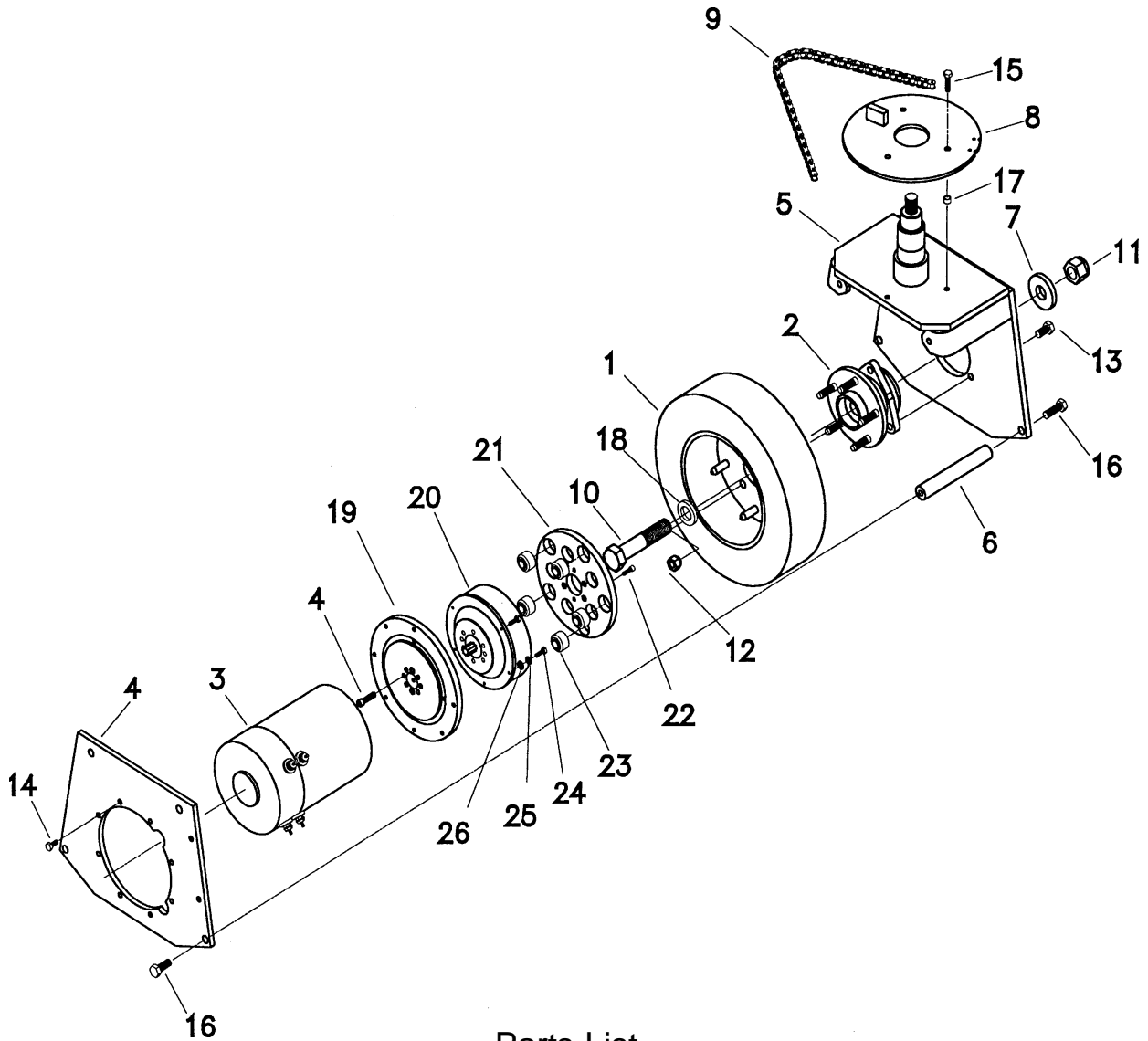
**OFF AISLE WAND**



**Parts List**

ITEM	PART NO.	QTY.	DESCRIPTION
1	383411	1	Wand AL, 1 1/4
2	832285	1	1 1/2 End Coupling
3	832284	1	Nut
4	100004	1	Bracket, Spray Jet
5	711903	4	Rivet, Pop .19 x .46
6	829115	1	Vee Jet, 1/4 NPT
7	711594	3	WSR-Flat .56 x .88 x .03
8	833384	1	Check Valve, 1/4
9	832884	1	Spacer
10	828953	1	Flare Connector
11	833488	1	HB Swivel Fl. 14HBLFSV-4-4
12	828490	4	Crimp Clamp
13	828488	3'	Hose
14	831327	2	1/4 MPT x 1/4 Hose Barb
15	828488	.42	Hose
16	829106	1	1/4 MPT Barb
17	390052	1	Body
18	828370	2	Coupler
19	390055	1	Cap
20	390054	1	Valve
21	390062	1	O-Ring
22	390049	1	Spring
23	712320	3	WSR #10
24	390061	1	O-Ring
25	390060	1	O-Ring
26	390063	1	Pin
27	711803	1	Cotter Pin
28	390053	1	Trigger
29	712636	1	Nut-Hex 10-32 SS
30	712545	1	SCR-MC 10-32 .87
31	390056	1	Valve Mount
32	762173	1	Tube, Shrink
33	500295	2	Rubber, Squeegee
34	500296	2	Rubber, Reinforcing
35	800615	2	Retaining Strip
36	833789	2	Bracket Mounting
37	833841	1	Brush
38	711106	14	SCR-ST-A #10 x .75
39	833789	2	Bracket Mounting
40	808648	1	Nozzle, Squeegee
41	801045	1	Hose, CP 1 1/2 x 15 ft.
42	383416	1	Cuff Enlarger, 1 1/2 Hose
43	828488	16'	Hose
44	828490	2	Crimp Clamp
45	828106	2	1/4 MPT Barb
46	828368	1	BH2-51 Male Coupler
47	828062	5	Cable Ties
48	383254	1	Hose Cuff

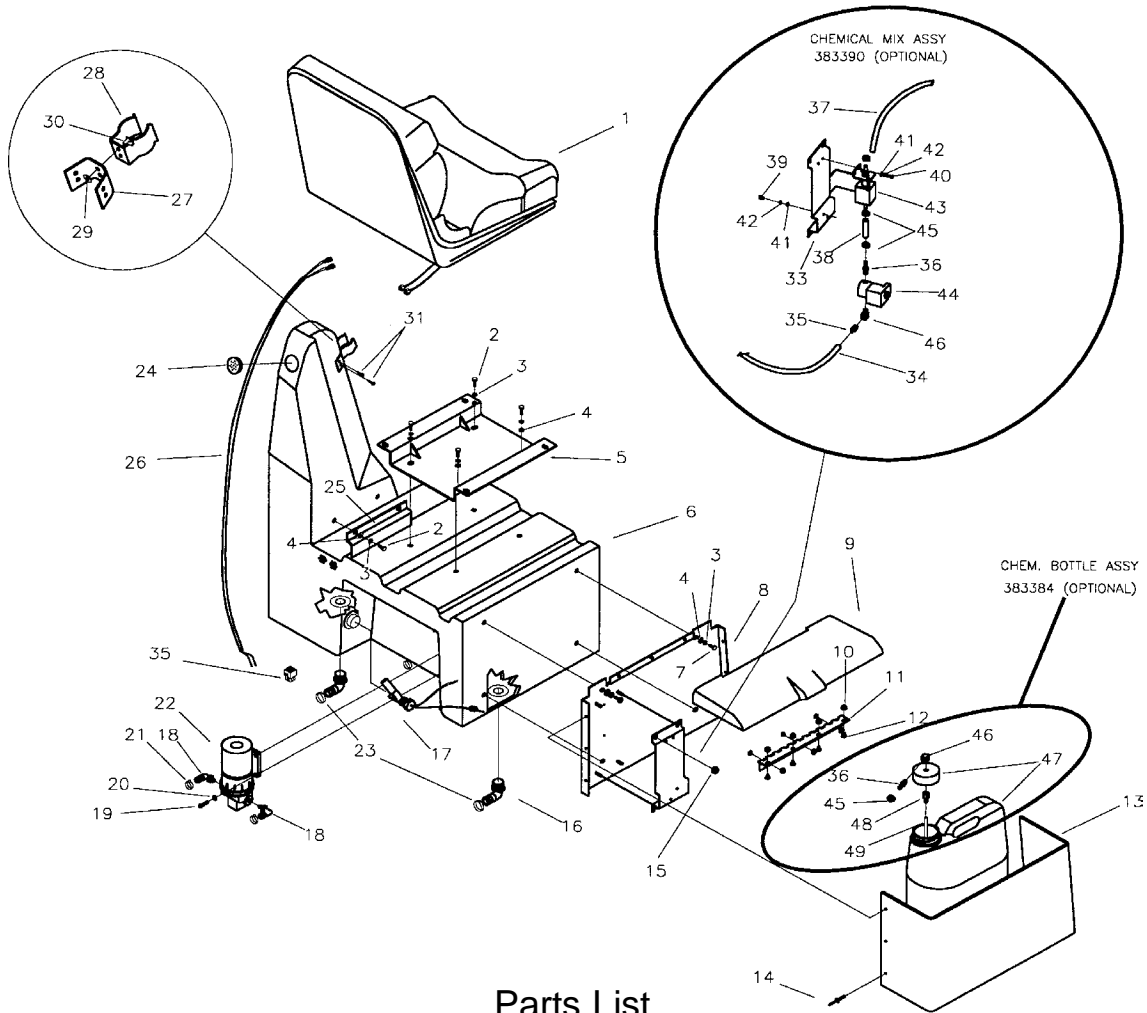
**FRONT DRIVE ASSEMBLY**



**Parts List**

ITEM	PART NO.	QTY.	DESCRIPTION	ITEM	PART NO.	QTY.	DESCRIPTION
1	383108	1	Drive Wheel	14	713027	8	Bolt 5/16-18 x 1 GR5
2	383112	1	Drive Wheel Hub	15	713028	3	Bolt 5/16-18 x 1.25 GR5
3	383113	1	Front Drive Motor Assy.	16	713071	6	Bolt ½ -13 x 1.50 GR5
4	400935	6	SCR-SOC Hd. Cap 5/16-24	17	809247	3	Spacer .502 x .38 x .322
5	383115	1	Front Drive Wheel Weldment	18	383433	1	Spacer 1.75 OD x 1.06 ID
6	383118	2	Spacer 1 Dia. x 6.813 Lg.	19	383104	1	End Plate
7	383119	1	Sprayer 2.5 x 1 x .375	20	383103	1	Gear Box
8	383286	1	Chain Disc Weldment	21	383070	1	Drive Plate
9	383373	1	Steering Chain	22	400926	6	SCR-SOC Hd. Cap 5/16-24
10	711164	1	Bolt 1 x 5.0 Lg.	23	383069	5	Isolators
11	711165	1	Nut-1 Nyloc	24	400041	4	BLT-Helical ¼ SS
12	711166	5	Lug Nut ½-20	25	712758	4	WSR-HH ¼-20 ZP
13	711167	3	Bolt M12-1.75 x 25 MM	26	711504	4	WSR-Flat ¼ SS

## AUXILIARY TANK ASSEMBLY

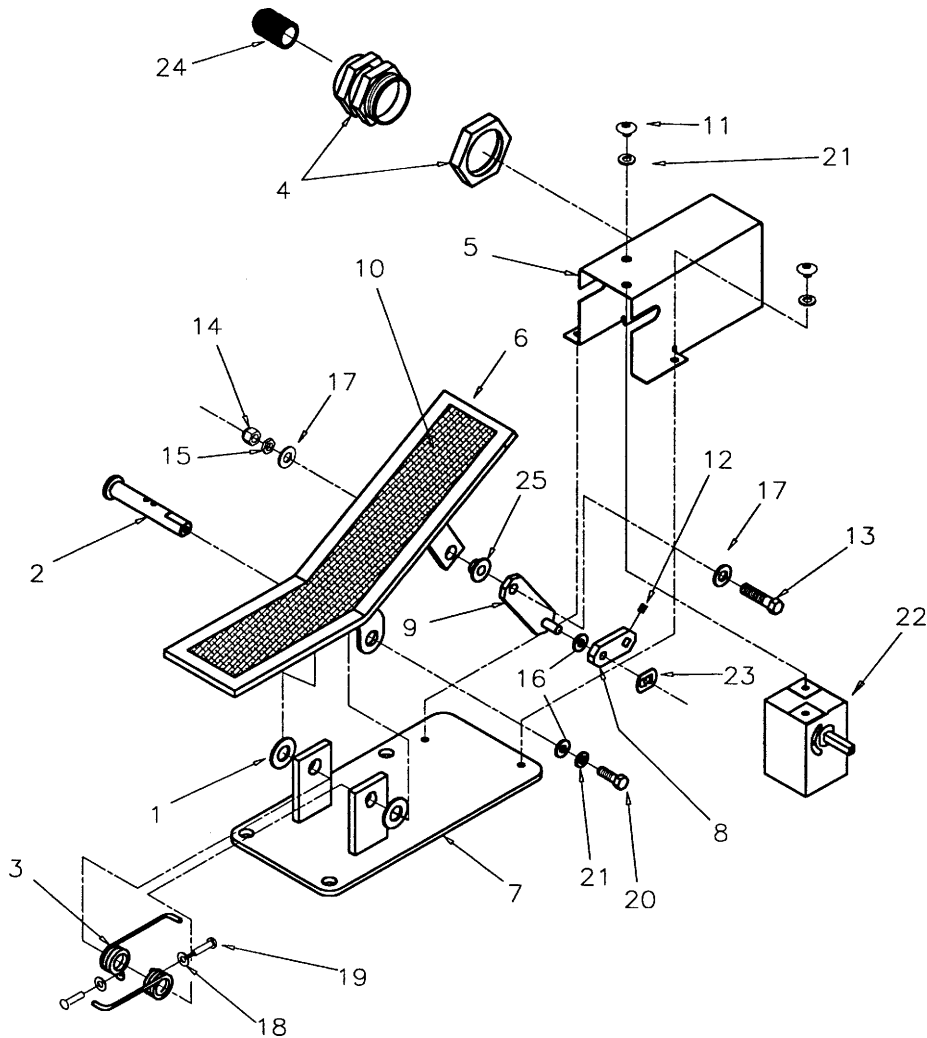


### Parts List

ITEM	PART NO.	QTY.	DESCRIPTION	ITEM	PART NO.	QTY.	DESCRIPTION
1	383154	1	Seat	22	711503	2	WSR-Flat #10
2	713002	4	BLT-HH 1/4-20 x 3/4	23	711915	2	Rivet Tube .19 x .28
3	711544	8	WSR-Helical 1/4	24	711160	4	SCR-Hi/Lo #10 x 5/8
4	711505	8	WSR-Flat 1/4	25	383132	1	Chem. Pump Bracket
5	383155	1	Seat Mount	26	383359	1	Hose, 1/4 x 32.5 Lg.
6	383301	1	Auxiliary Tank	27	383386	1	1/4 Barb x 1/8 MPT Brass
7	711203	4	Bolt-HH 1/4-20 x .62	28	383428	1	Hose 1/4 x 6.75" Lg.
8	383131	1	Mount Plate	29	383429	1	Hose, 1/4 x 2" Lg.
9	383144	1	Cover, Chemical Mix	30	710153	2	SCR-MC 10-32 x .37
10	712908	7	Nut-Flanged Wizz 10-24	31	712822	2	SCR-MC 10-24 x .5
11	450021	1	Hinge	32	711503	4	WSR-Flat #10
12	712816	7	SCR-MC 10-24 x .37	33	711543	4	WSR-Helical #10
13	383129	1	Chem Mix Enclosure	34	742713	1	Pump, Chemical Meter
14	828893	6	Rivet Bap KTR64BX	35	742719	1	Solenoid 36V
15	711379	2	5/16-18 Wizz Nut	36	828490	3	Crimp Clamp 140R
16	383321	1	Fitting PP, 3/4 MPT x 3/4 Barb	37	383472	2	Fitting Brass 90, 1/8 MPT x 1/4 Barb
17	742708-1	1	Float Switch	38	383094MCH	1	Chemical Bottle
18	383346	1	Crimp Clamp 3/4	39	383386	1	Fitting Brass 1/4 Barb x 1/8 FPT
19	383217	1	Battery Cable Cover	40	383388	1	1/4 ID x 10 1/4 PP Tube
20	383269	1	Off-Aisle Bracket	41	3302338	1	Worm Clamp
21	383270	1	Spring Clip				

\* 383384 and 383390 included with Models MC380002 & MC380003.

## ACCELERATOR ASSEMBLY

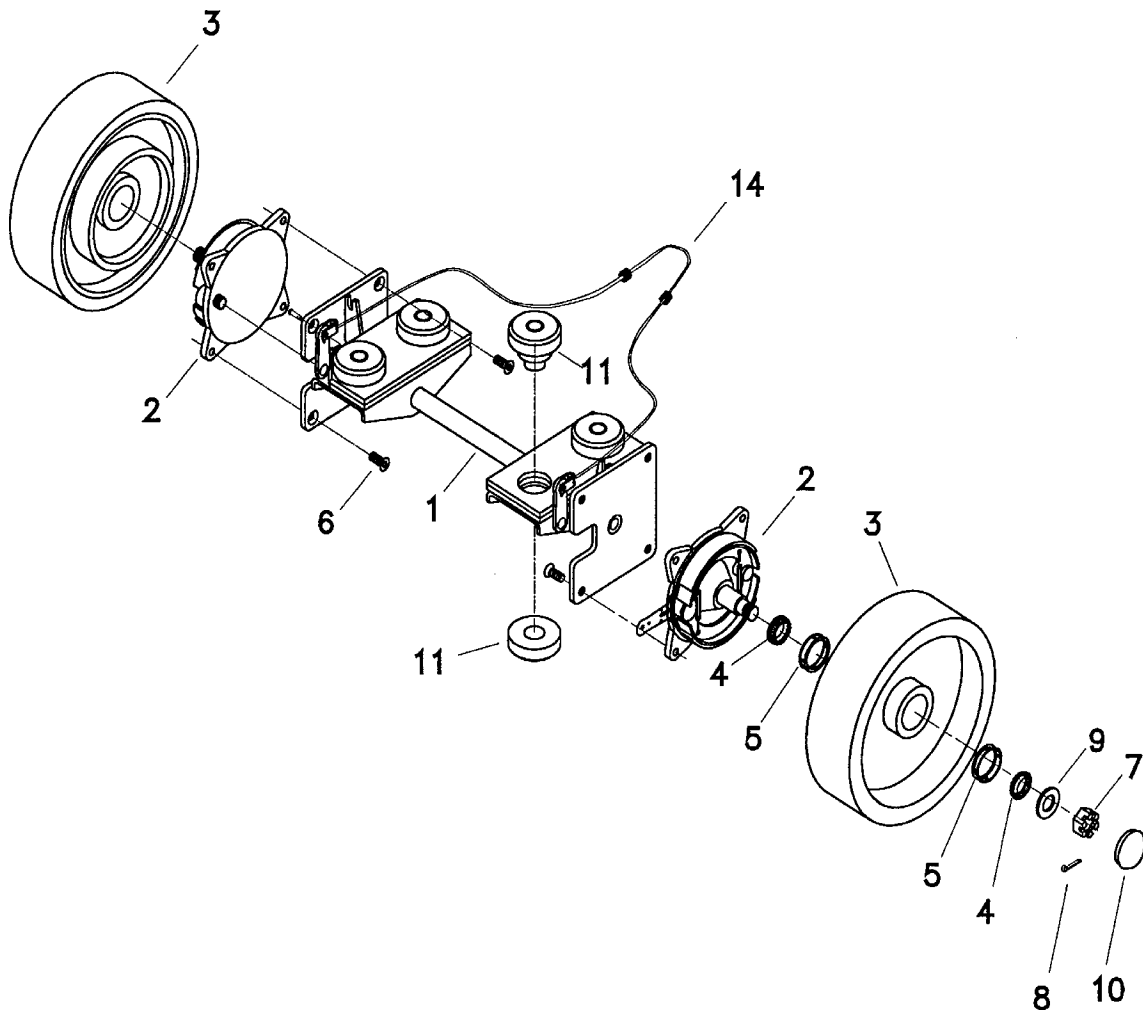


### Parts List

ITEM	PART NO.	QTY.	DESCRIPTION	ITEM	PART NO.	QTY.	DESCRIPTION
1	210033	2	Oilite Thrust Washer	14	711374	1	Nut-Nyloc 5/16-18
2	210375	1	Swivel Pin	15	711420	1	Nut-Hex Jam 5/16-18
3	210391	2	Return Spring	16	711504	2	WSR-Flat ¼ ID SS
4	210405	1	Liquid Tight Fitting	17	711506	2	WSR-Flat 5/16 STPL
5	383158	1	Switch Cover	18	712320	2	WSR-Nylon .22 x .45 x .04
6	383188	1	Pedal Weldment	19	712536	2	SCR-MC 10-24 x .62 SS
7	383189	1	Mounting Plate	20	712562	1	BLT-HH ¼-20 x .75 SS
8	383191	1	Throttle Bar	21	712758	5	WSR-Helical ¼ SS
9	383193	1	Accelerator Bar Weldment	22	742913	1	Throttle Assembly
10	383196	1	Anti-Skid Strip	23	75-89-A	1	Speed Nut
11	710252	4	SCR-MC 10-32 x .25	24	828988	1	Heycoflex Conduit
12	711003	1	SCR-SK 10-32 x .25	25	829052	1	Flange Bushing Nylon .312 ID
13	711231	1	BLT-HH 5/16-18 STPL				



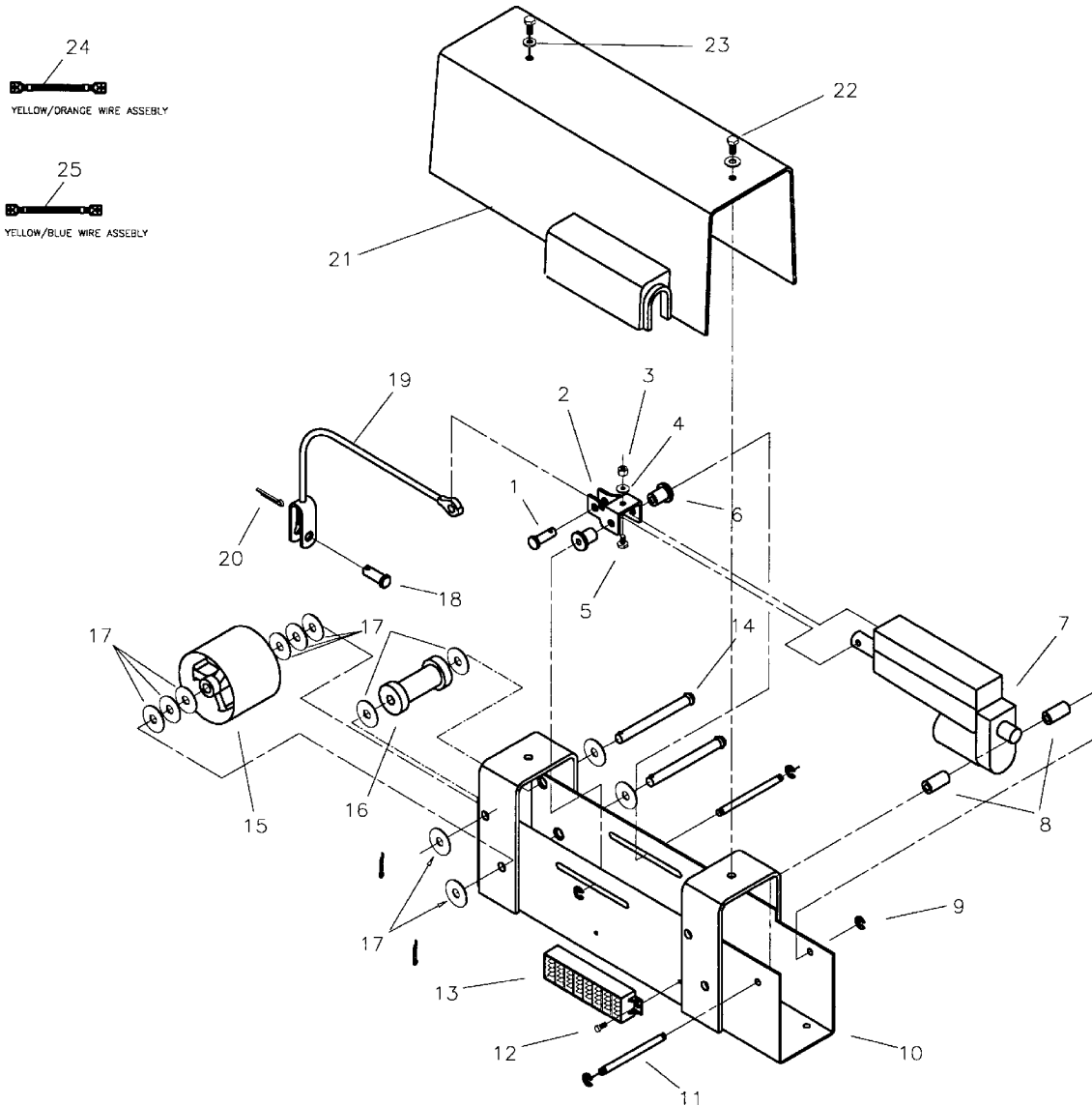
## REAR AXLE ASSEMBLY



### Parts List

ITEM	PART NO.	QTY.	DESCRIPTION	ITEM	PART NO.	QTY.	DESCRIPTION
1	383051	1	Rear Axle Weldment	8	380-632-20	2	3/16 Cotter Pin
2	383177	2	Drum Brake (Knott 180x30)	9	711514	2	Washer
3	383111	2	Rear Wheel	10	383241	2	Grease Cap
4	383194	4	Bearing Cone	11	383072	4	Ring & Bushing Isolator
5	383195	4	Bearing Cup	12	383426	2	Clevis Pin ¼ x .88 Zinc PLT
6	711169	8	½-20 UNF FSHS	13	711808	2	Cotter Pin, Hair #13
7	711450	2	1-14 UNS-2A Slotted Nut	14	383229	1	Brake Cable

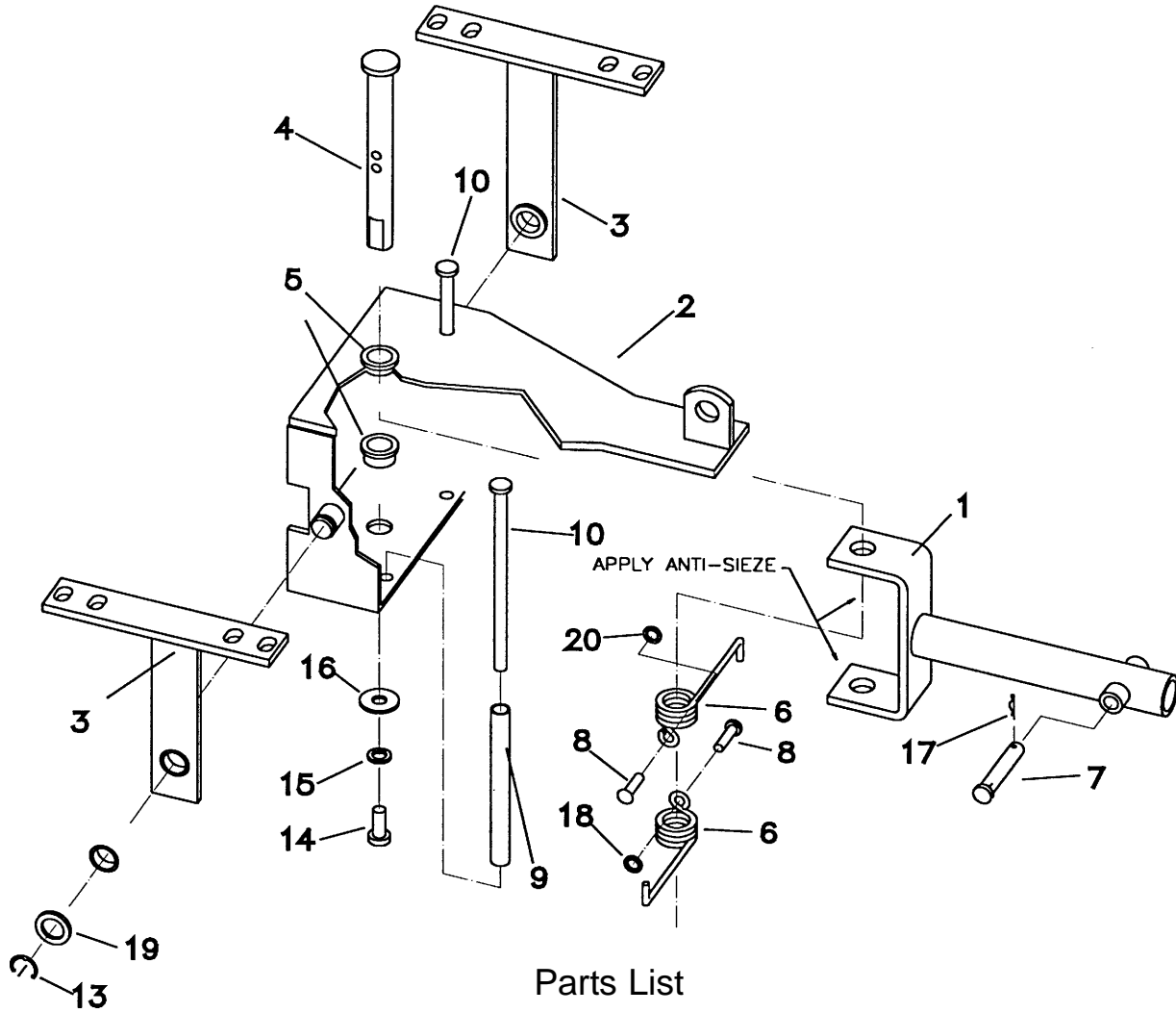
## ACTUATOR SUPPORT ASSEMBLY



### Parts List

ITEM	PART NO.	QTY.	DESCRIPTION	ITEM	PART NO.	QTY.	DESCRIPTION
1	881002	1	Clevis Pin 5/16 x .88	12	742728	1	Terminal Block
2	320161	1	Bracket, Squeegee Cable	13	383162	2	Clevis Pin 3/8 x 3 3/4
3	712638	1	Nylon Nut, 10-24 SS	14	383476	1	Roller
4	712764	1	WSR-SS, #10	15	711507	4	Flat Washer 3/8"
5	712540	1	SCR-MC 10-24 x .37	17	711668	1	Clevis Pin 3/8 x 1.0
6	742735	1	Actuator	18	383436	1	Actuator Cable
7	833277PLT	2	Actuator Bushing	19	809311	4	Cotter Pin 7/64" x 1.0
8	711720	2	Retaining Ring-E Ext. .25	20	383430	1	Actuator Cover
9	383123	1	Actuator Support Weldment	21	711202	2	BLT-HH 1/4-20 x .5 STPL
10	833294	1	Actuator Pin	22	711505	2	WSR-Flat 1/4
11	711133	1	Self Tapping Screw #8 x .37				

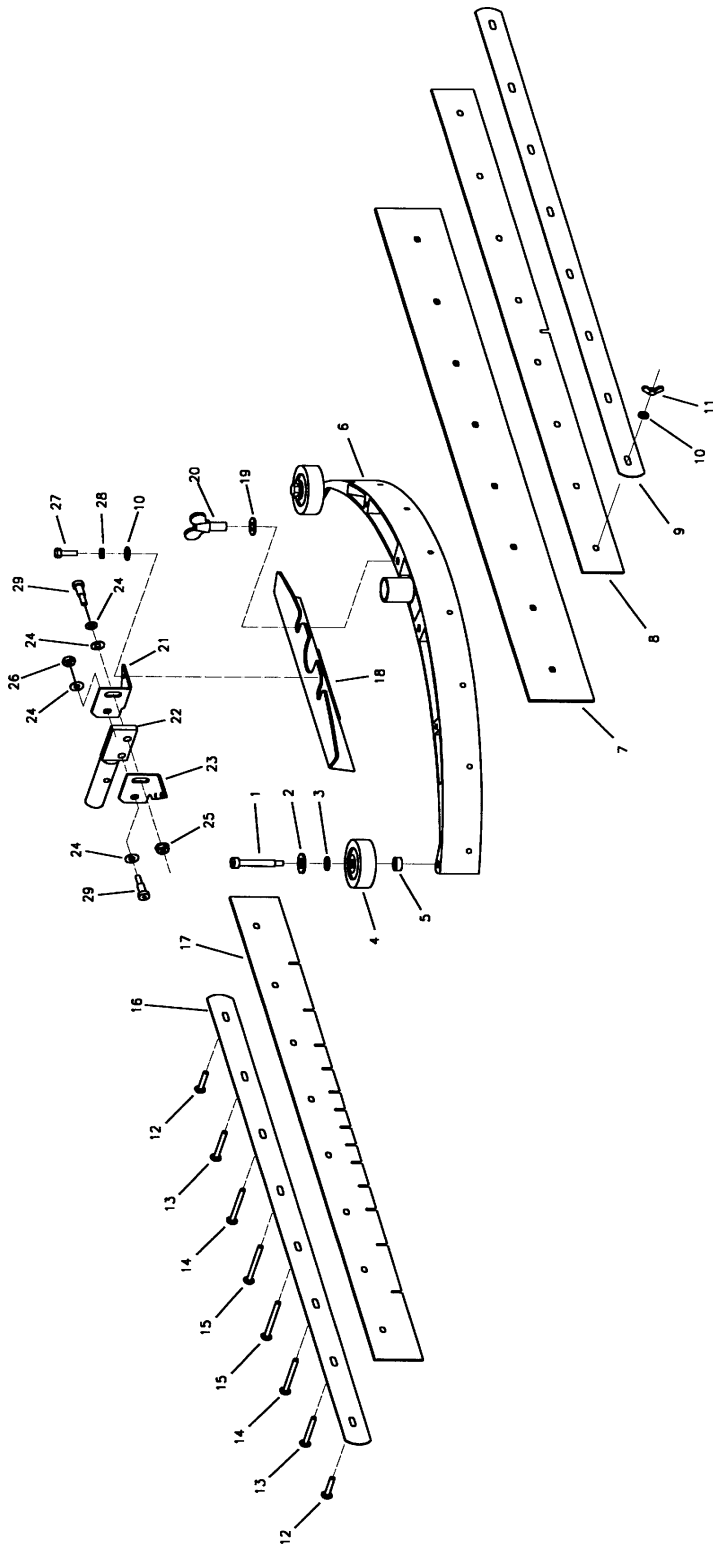
## SQUEEGEE MECHANISM



### Parts List

ITEM	PART NO.	QTY.	DESCRIPTION
1	383311	1	Yoke Weldment
2	383224	1	Spring Housing Weldment
3	320008	1	Pivot Bracket Weldment
4	383314	1	Swivel Pin
5	260041	2	1/2 Oilite Bushing
6	383287	2	Torsion Spring SS
7	711671	1	Clevis Pin 5/16 x 2.125
8	712565	2	SCR-MC 1/4-20 x .62 SS
9	383315	2	Spacer Tube
10	710392	2	SCR-MC 1/4-20 x 4.50 SLTD
13	711715	2	3/4 Retaining Ring
14	712562	1	Bolt-HH 1/4-20 x .75 SS
15	712758	1	WSR-Helical 1/4 SS
16	711504	1	WSR-Flat .25 ID SS
17	711808	1	Cotter Pin
18	711505	2	WSR-Flat 1/4
19	711517	2	WSR-Flat .75 x 1.375 x .09 SS

## SQUEEGEE ASSEMBLY

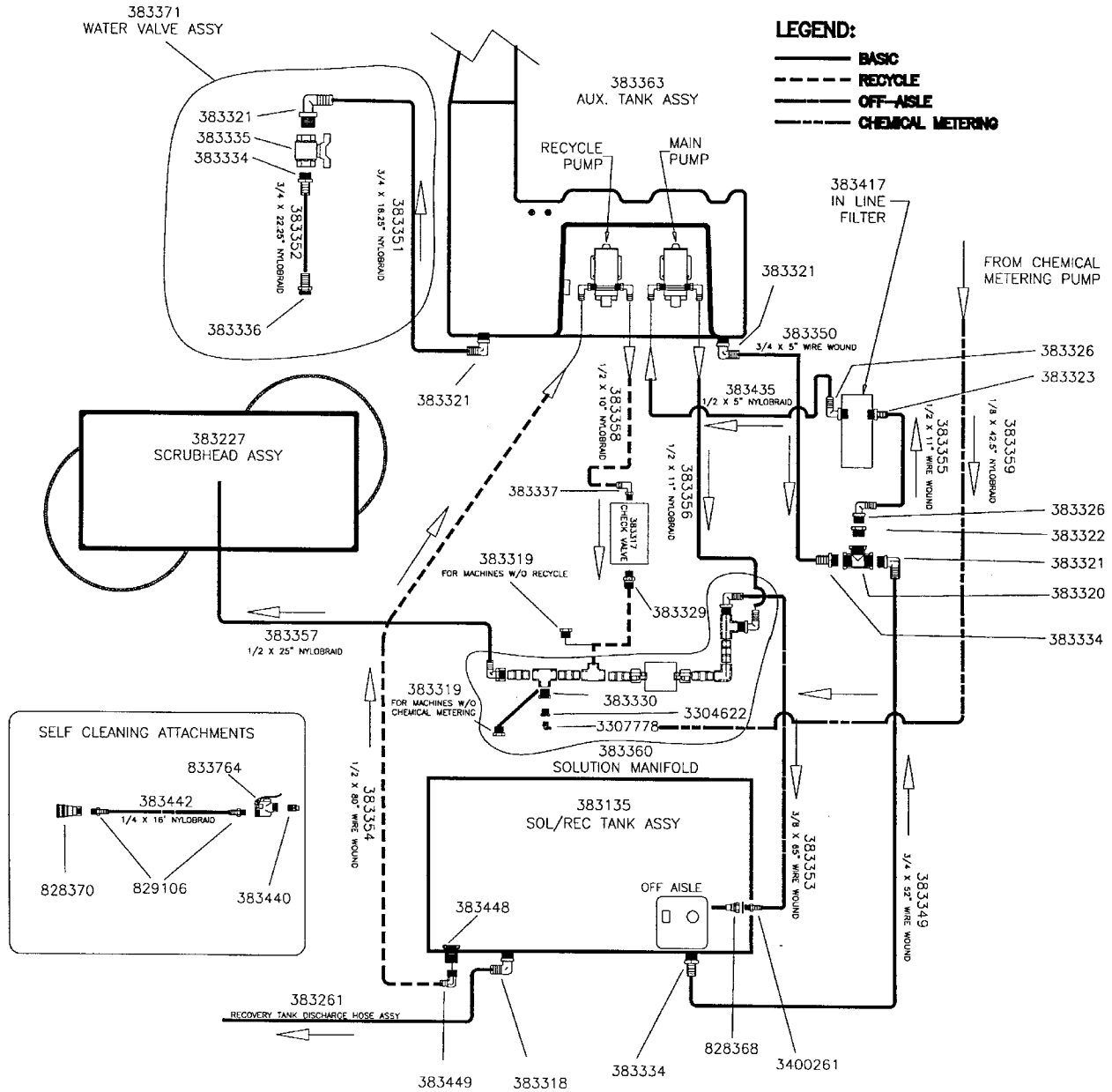


### Parts List

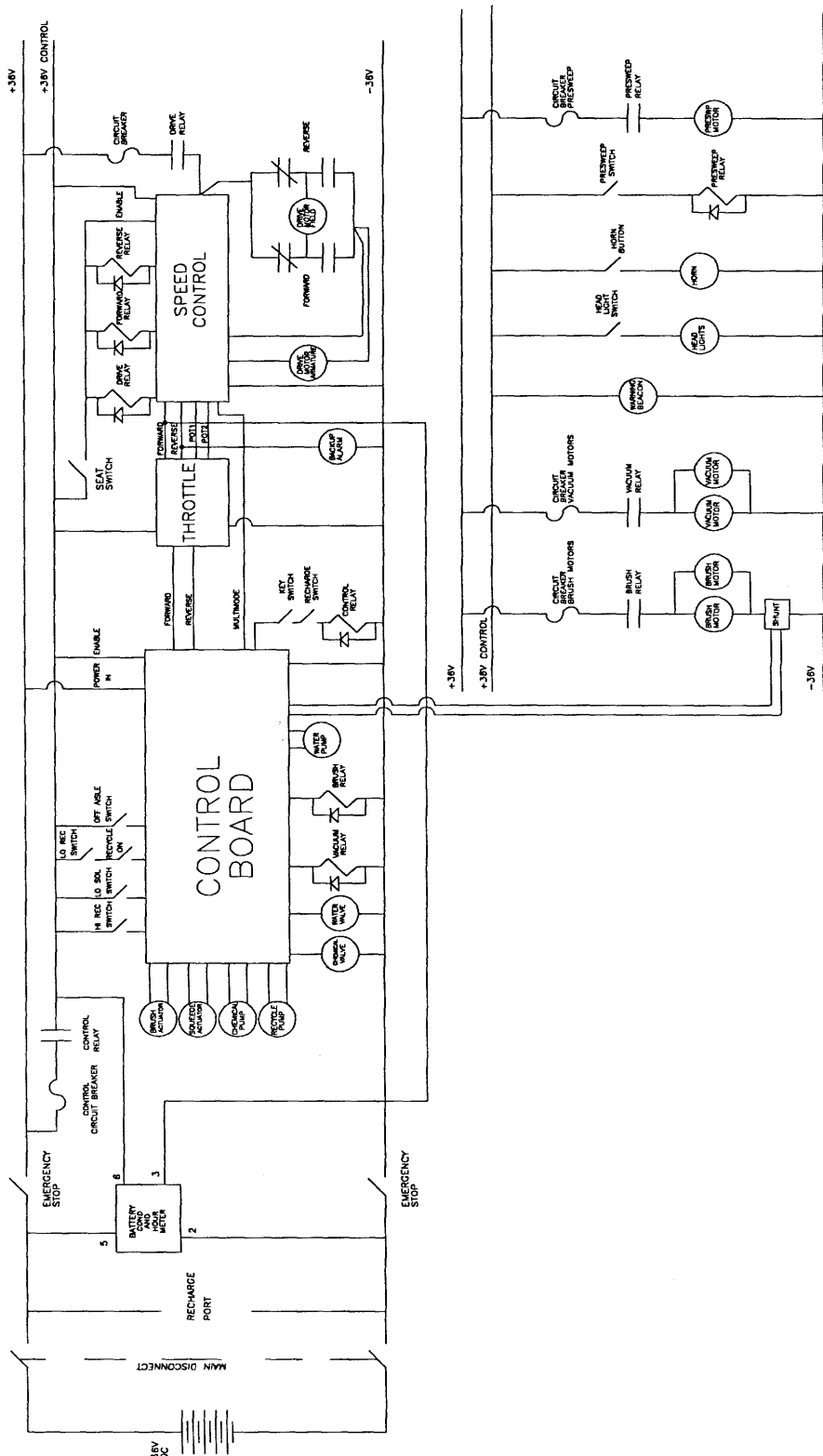
ITEM	PART NO.	QTY.	DESCRIPTION	ITEM	PART NO.	QTY.	DESCRIPTION
1	712091	2	Bolt-Shoulder 3/8 x 1.5	17	383754	1	Front Squeegee Blade
2	711507	2	WSR-Flat .37 x 1.12 x .06	18	383789	1	Squeegee Mounting Bracket
3	711592	2	WSR-Nylon .50 x 1.06 x .06	19	711578	2	WSR-Flat 1/2 Brass
4	808829	2	Squeegee Bumper Wheel	20	220249	2	Wing Bolt 1/2-13 x .75
5	832015	2	Spacer	21	383424	1	Mounting Bracket - Right
6	383750MCH	1	Squeegee Machined	22	320154	1	Squeegee Mount Weldment
7	383753	1	Rear Squeegee Blade	23	383425	1	Mounting Bracket - Left
8	383755	1	Reinforcement Blade	24	712301	4	WSR-Flat .37 x .87 x .07
9	383751	1	Rear Blade Strap	25	711379	1	Nut-Flanged Wizz 5/16-18
10	711504	8	Wing Nut 1/4-20 SS	26	711374	1	Nut-Nyloc 5/16-18
12	712571	2	Bolt-SS Carr 1/4-20 x 1.5	27	712562	4	Bolt-HH 1/4-20 x .75 SS
13	712573	2	Bolt-SS Carr 1/4-20 x 2.5	28	712578	4	WSR-Helical 1/4 SS
14	712574	2	Bolt-SS Carr 1/4-20 x 3.00	29	712081	2	Bolt-Shoulder 3/8 x .75
15	712577	2	Bolt-SS Carr 1/4-20 x 3.5	30	383792	1	Gasket, Squeegee Mount Brkt.
16	383752	1	Front Blade Strap				

**PLUMBING DIAGRAM**

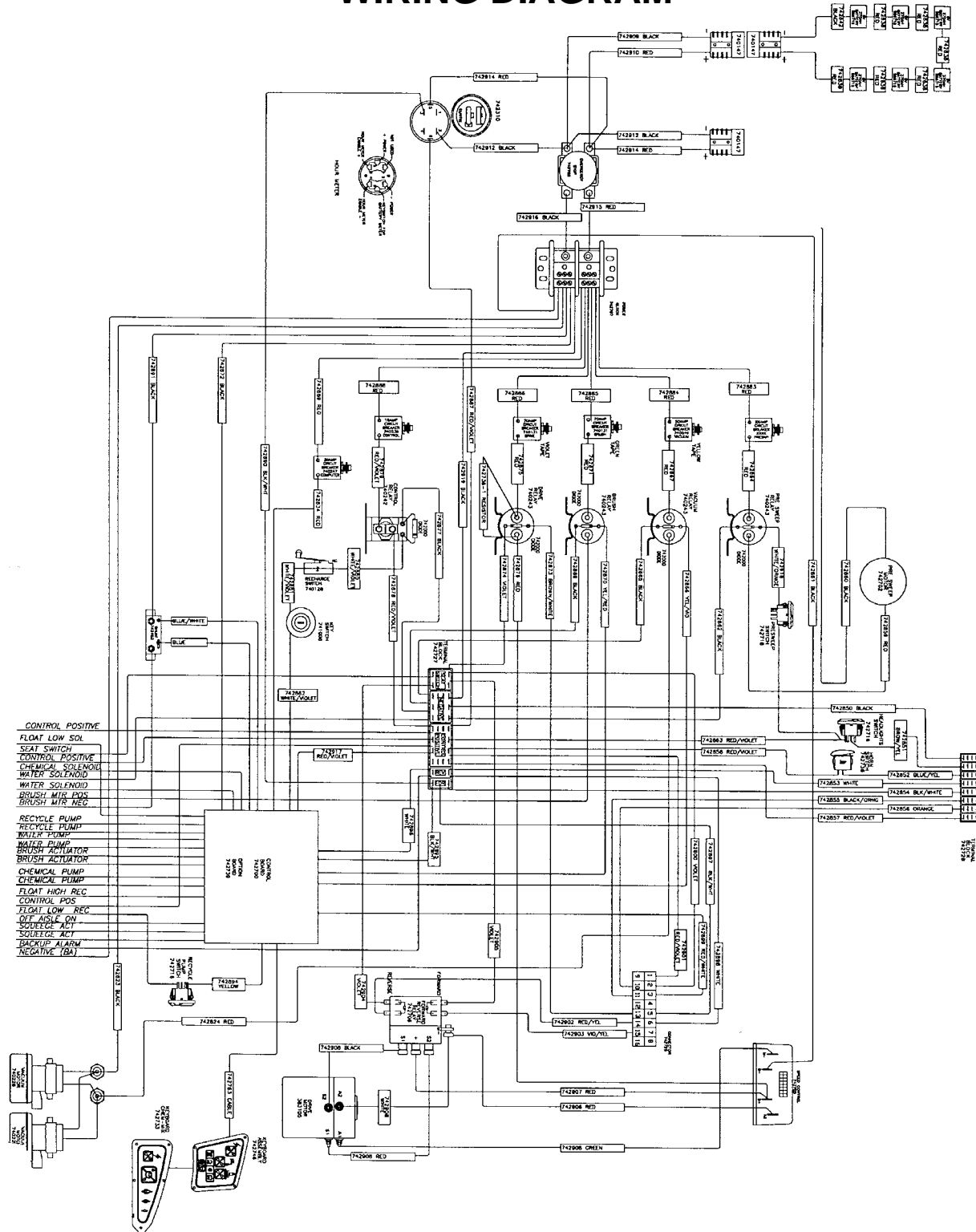
**PLUMBING DIAGRAM**



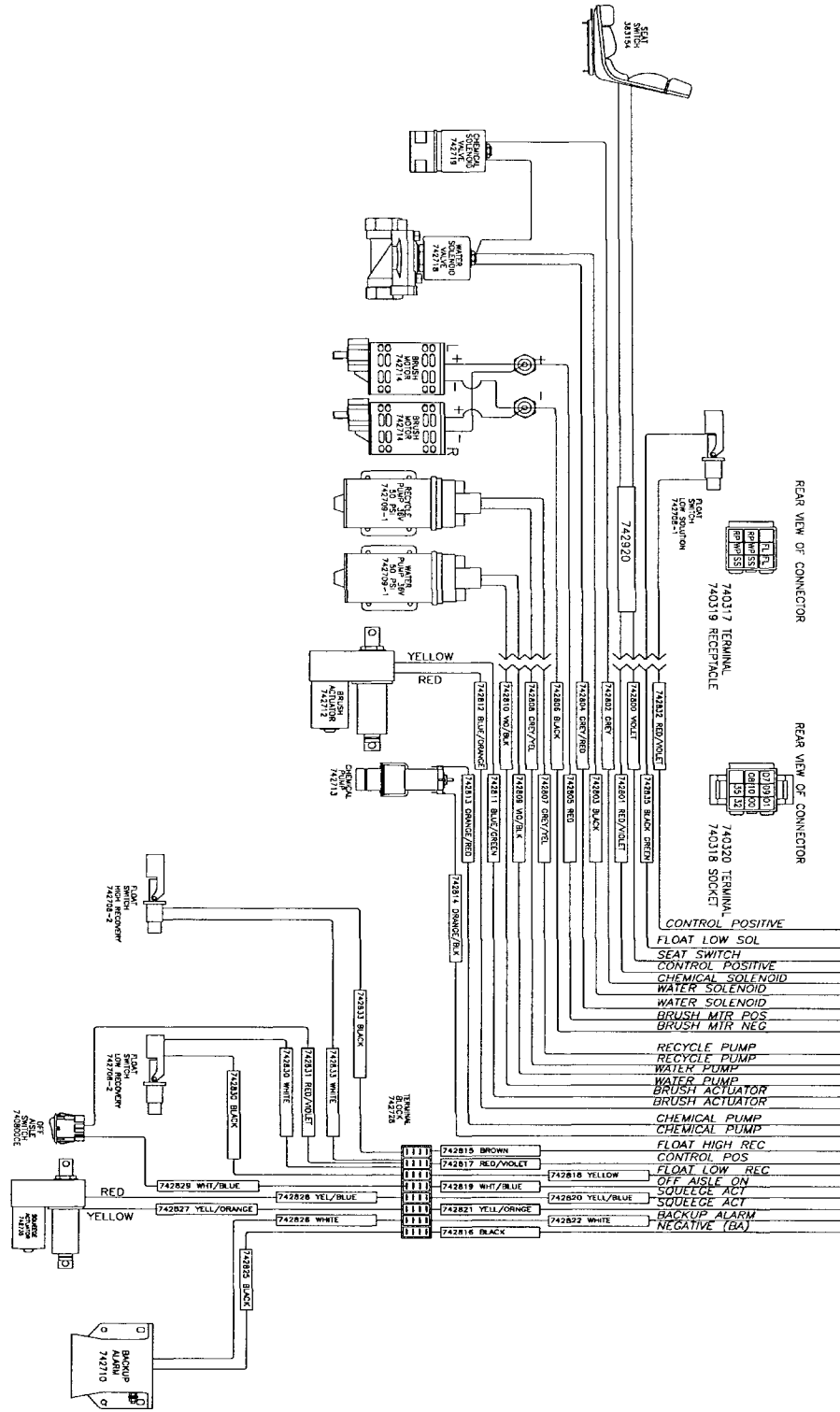
## 3800 RIDER SCHEMATIC DIAGRAM



# 3800 RIDER MAIN ASSEMBLY WIRING DIAGRAM

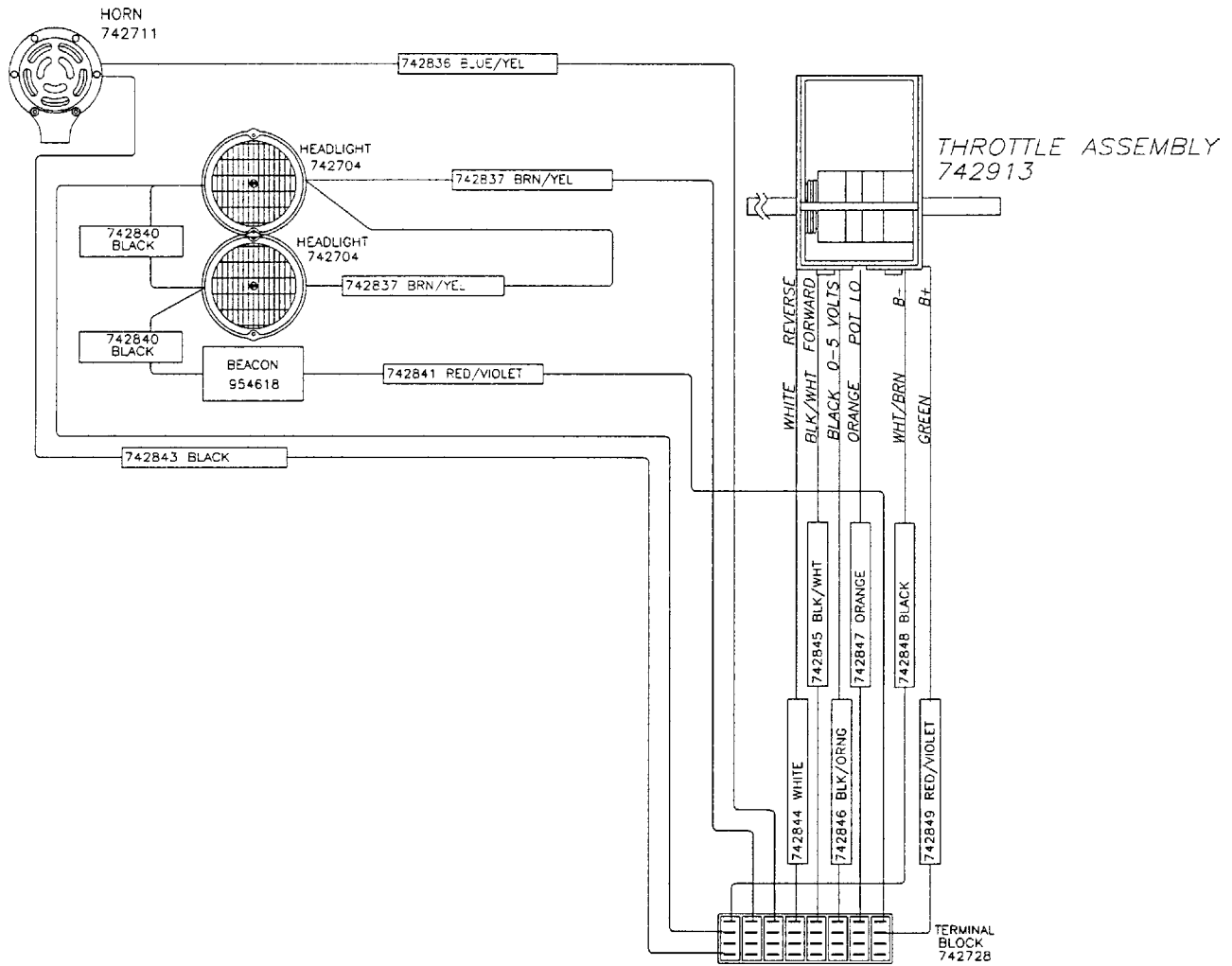


# 3800 RIDER UNDER FRAME WIRING DIAGRAM





## 3800 RIDER FRONT CONSOLE WIRING DIAGRAM




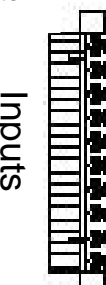
## 3800 RIDER WIRE COLOR WIRING GUIDE

Black	Negative	<b>Computer Only</b>		
Black/Green	Float Low Solution	Black	Negative	742872
Black/Orange	0-5V Accelerator	Black/Green	Float Low Solution	742816
Black/White	Forward - Accelerator	Black/White	Forward - Accelerator	742895
Blue	Shunt	Blue	Shunt	
Blue/White	Shunt	Blue/White	Shunt	
Blue/Orange	Brush Actuator	Blue/Orange	Brush Actuator	742812
Blue/Green	Brush Actuator	Blue/Green	Brush Actuator	742811
Blue/Yellow	Horn	Brown	Float Hi Rec	742815
Brown	Float Hi Rec	Grey	Chemical Solenoid Valve	
Brown/White	Drive Relay Coil	Grey/Red	Water Solenoid Valve	742804
Brown/Yellow	Headlights	Grey/Yellow	Recycle Pump	742807, 742808
Grey	Chemical Solenoid Valve	Orange/Black	Chemical Pump	742814
Grey/Red	Water Solenoid Valve	Orange/Red	Chemical Pump	742813
Grey/Yellow	Recycle Pump	Red	Positive	742889
Orange	Pot Low	Red/Violet	System Ready	742917
Orange/Black	Chemical Pump	Red/White	Multimode	742899
Orange/Red	Chemical Pump	Violet/Black	Water Pump	742809, 742810
Red	Positive	White	Reverse Accelerator	742896
Red/Violet	System Ready	White/Blue	Off Aisle Switch	742819
Red/White	Multimode	White/Violet	System Start	742882
Red/Yellow	Forward Relay Coil	Yellow	Recycle	742894
Violet	Seat Switch	Yellow/Violet	Vacuum Relay Coil	742866
Violet/Black	Water Pump	Yellow/Red	Brush Relay Coil	742870
Violet/Yellow	Reverse Relay Coil	Yellow/Orange	Squeegee Actuator	742821
White	Reverse Accelerator	Yellow/Blue	Squeegee Actuator	742820
White/Blue	Off Aisle Switch			
White/Orange	Presweep			
White/Violet	System Start			
Yellow	Recycle			
Yellow/Violet	Vacuum Relay Coil			
Yellow/Red	Brush Relay Coil			
Yellow/Orange	Squeegee Actuator			
Yellow/Blue	Squeegee Actuator			
Orange/Violet	Presweep Raise			
Black/Yellow	Presweep Actuator			

## 3800 RIDER COMPUTER WIRING GUIDE

### MAIN BOARD

Connector 742745		Side Closest to Input Connector		
		System Start	White/Violet	742882
		Brush On	Yellow/Red	742870
		Vacuum On	Yellow/Violet	742866
		Water Solenoid	Grey/Red	742804
		Multimode	Red/White	742899
		Spare		
		Squeegee Actuator	Yellow/Orange	742821
		Squeegee Actuator	Yellow/Blue	742820
		Water Pump	Violet/Black	742809
		Water Pump	Violet/Black	742810
		Brush Actuator	Blue/Orange	742812
		Brush Actuator	Blue/Green	742811

Connector 742744		Side Closest to RJ11 Plug		
		Shunt+	Blue	
		Shunt-	Blue/White	
		System Ready	Red/Violet	742917
		Forward	Black/White	742895
		Reverse	White	742896
		Off Aisle	White/Blue	742819
		Recovery Tank Full	Brown	742815
		Solution Tank Empty	Black/Green	742835
		Spare		

### OPTION BOARD

Connector 742743	Side Closest to Main Board		
	Chemical Pump	Orange/Red	742813
	Chemical Pump	Orange/Black	742814
	Recycle Pump	Grey/Yellow	742807
	Recycle Pump	Grey/Yellow	742808
	Chemical Solenoid	Grey	742802
	Recycle On	Yellow	742894

# LIMITED WARRANTY

Minuteman International, Inc. warrants to the original purchaser/user that this product is free from defects in workmanship and materials under normal use and service for a period of three years from date of purchase. In addition, Minuteman International, Inc. will, at its option, honor labor warranty claims for the first 12 months from date of sale, provided such claims are submitted through and approved by factory authorized repair stations. Minuteman International, Inc. will, at its option, repair or replace without charge, except for transportation costs, parts that fail under normal use and service when operated and maintained in accordance with the applicable operation and instruction manuals.

This warranty does not apply to normal wear, or to items whose life is dependent on their use and care, such as belts, cords, switches, hoses, rubber parts, electrical motor components or adjustments. Parts not manufactured by Minuteman International, Inc. such as engines, batteries, battery chargers, hydraulic pumps, and tires are covered by and subject to the warranties and/or guarantees of their manufacturers. Please contact Minuteman International, Inc. for procedures in warranty claims against these manufacturers.

**Special warning to purchaser** — Use of replacement filters and/or prefilters not manufactured by Minuteman International, Inc. or its designated licensees, will void all warranties expressed or implied.

A potential health hazard exists without exact original equipment replacement.

All warranted items become the sole property of Minuteman International, Inc. or its original manufacturer, whichever the case may be.

Minuteman International, Inc. disclaims any implied warranty, including the warranty of merchantability and the warranty of fitness for a particular purpose. Minuteman International, Inc. assumes no responsibility for any special, incidental or consequential damages.

This limited warranty is applicable only in the U.S.A. and Canada, and is extended only to the original user/purchaser of this product. Customers outside the U.S.A. and Canada should contact their local distributor for export warranty policies. Minuteman International, Inc. is not responsible for costs or repairs performed by persons other than those specifically authorized by Minuteman International, Inc. This warranty does not apply to damage from transportation, alterations by unauthorized persons, misuse or abuse of the equipment, use of non-compatible chemicals, or damage to property, or loss of income due to malfunctions of the product.

If a difficulty develops with this machine, you should contact the dealer from whom it was purchased.

This warranty gives you specific legal rights, and you may have other rights which vary from state to state. Some states do not allow the exclusion or limitation of special, incidental or consequential damages, or limitations on how long an implied warranty lasts, so the above exclusions and limitations may not apply to you.

# ***Minuteman***<sup>®</sup>

**World Headquarters**  
Minuteman International, Inc.  
111 South Rohlwing Road  
Addison, Illinois 60101

*PowerBoss*<sup>®</sup>  
175 Anderson Street  
Aberdeen, North Carolina  
28315 USA

(630) 627-6900  
FAX (630) 627-1130

(910) 944-2167  
FAX (910) 944-3199

987613  
Printed in U.S.A.